

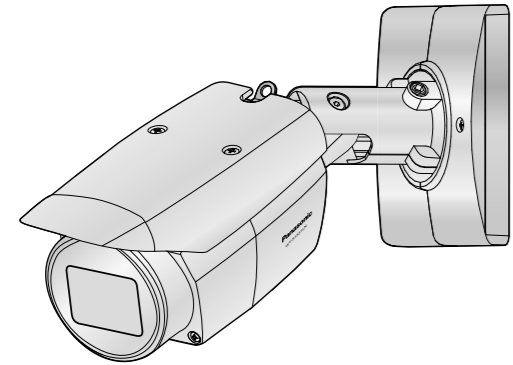
Panasonic®

Installation Guide

Included Installation Instructions

Network Camera

Model No. **WV-S1531LTN / WV-S1531LN**
WV-S1511LN



WV-S1531LN



- Before attempting to connect or operate this product, please read these instructions carefully and save this manual for future use.
- Before reading this manual, be sure to read the Important Information (included in the CD-ROM).
- For information about how to perform the settings and how to operate the camera, refer to the Operating Instructions on the provided CD-ROM.
- The model number is abbreviated in some descriptions in this manual.

For U.S. and Canada:

Panasonic System Communications Company of North America, Unit of Panasonic Corporation of North America
www.panasonic.com/business/
For customer support, call 1.800.528.6747
Two Riverfront Plaza, Newark, NJ 07102-5490

For Europe and other countries:

Panasonic Corporation
http://www.panasonic.com

Panasonic System Networks Co., Ltd.
Fukuoka, Japan

Authorised Representative in EU:

CE
Panasonic Testing Centre
Panasonic Marketing Europe GmbH
Winsberggring 15, 22525 Hamburg, Germany

Panasonic Canada Inc.
5770 Ambler Drive, Mississauga,
Ontario, L4W 2T3 Canada
(905)624-5010
www.panasonic.ca

© Panasonic System Networks Co., Ltd. 2016

PQGX2092XA avs1016-2027 Printed in China

WARNING:

- To prevent injury, this apparatus must be securely attached to the wall/ceiling in accordance with the installation instructions.
- All work related to the installation of this product should be made by qualified service personnel or system installers.
- The installation shall be carried out in accordance with all applicable installation rules.
- The connections should comply with local electrical code.
- Batteries (battery pack or batteries installed) shall not be exposed to excessive heat such as sunlight, fire or the like.

CAUTION:

- Any changes or modifications not expressly approved by the party responsible for compliance could void the user's authority to operate the equipment.
- The network camera is only intended for a connection to an ethernet or PoE network without routing to the outside plant.

For U.S.A. _____
For Canada _____
CAN ICES-3(A)/NMB-3(A)

: Direct current symbol

Disposal of Old Equipment and Batteries Only for European Union and countries with recycling systems



These symbols on the products, packaging, and/or accompanying documents mean that used electrical and electronic products and batteries must not be mixed with general household waste. For proper treatment, recovery and recycling of old products and used batteries, please take them to applicable collection points in accordance with your national legislation.



By disposing of them correctly, you will help to save valuable resources and prevent any potential negative effects on human health and the environment.



For more information about collection and recycling, please contact your local municipality. Penalties may be applicable for incorrect disposal of this waste, in accordance with national legislation.



Note for the battery symbol (bottom symbol)
This symbol might be used in combination with a chemical symbol. In this case it complies with the requirement set by the Directive for the chemical involved.

The model number and serial number of this product may be found on the surface of the unit. You should note the model number and serial number of this unit in the space provided and retain this book as a permanent record of your purchase to aid identification in the event of theft.

Model No. _____
Serial No. _____

For U.S.A. _____

NOTE: This equipment has been tested and found to comply with the limits for a Class A digital device, pursuant to Part 15 of the FCC Rules. These limits are designed to provide reasonable protection against harmful interference when the equipment is operated in a commercial environment. This equipment generates, uses, and can radiate radio frequency energy and, if not installed and used in accordance with the instruction manual, may cause harmful interference to radio communications.

Operation of this equipment in a residential area is likely to cause harmful interference in which case the user will be required to correct the interference at his own expense.

FCC Caution: To assure continued compliance, (example - use only shielded interface cables when connecting to computer or peripheral devices). Any changes or modifications not expressly approved by the party responsible for compliance could void the user's authority to operate this equipment.

Preparations

Other items that are needed (not included)

Tear off the blue tape attached on camera arm before installing the camera.

Prepare the required parts for each installation method before starting the installation. The following are the requirements for the various installation methods.

Installation method	Recommended screw	Description of installation method
Directly mount the camera onto the ceiling or wall (when there is a space for wiring in the ceiling or the wall)	M5 screws/ 4pcs.	[Type 1]
Mount the camera to a junction box * Only use metal junction boxes.	M4 screws/ 4pcs.*	[Type 2]
Mount the camera onto the ceiling or wall using the adapter box (approx. 510 g {1.13 lbs}) (when there is no space for wiring in the ceiling or the wall)	M5 screws/ 4pcs.	[Type 3]

*1 To mount the camera onto the ceiling or wall, the safety wire (accessory) must be attached. Have an M6 bolt and nut or anchor (with the minimum pull-out strength of 724 N {163 lbf}) ready for securing the safety wire.

*2 Prepare a M4 screw with a washer with a diameter of 7.5 mm {5/16 inches} to 10 mm {3/8 inches} and a spring washer.

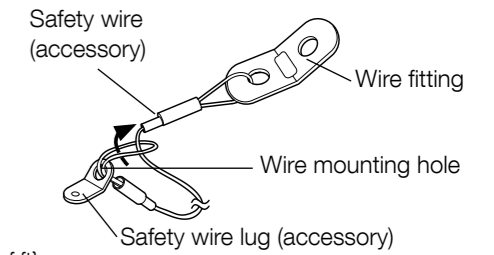
IMPORTANT:

- For the screws or anchor bolts used in the above methods ([Type 1] to [Type 3]), be sure to secure the minimum pull-out strength of 724 N {163 lbf} per screw or bolt.
- Select screws according to the material of the location that the camera will be mounted to. In this case, wood screws and nails should not be used.
- If the mounting location such as plaster board is too weak to support the total weight, the area shall be sufficiently reinforced.

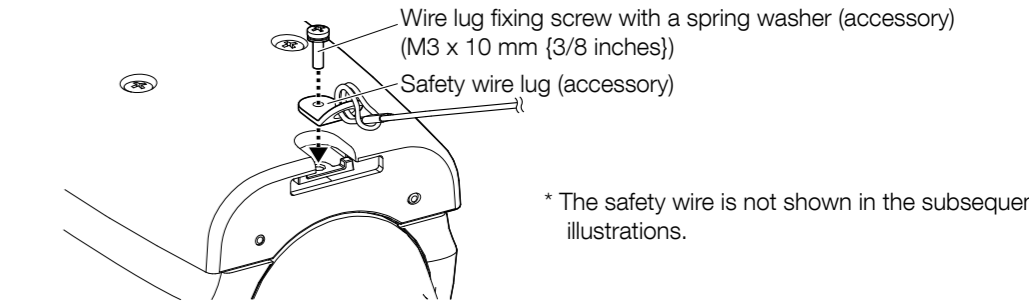
Preparations

[1] Attaching the safety wire.

- ① **Pass the safety wire (accessory) through the wire mounting hole in the safety wire lug (accessory).**



- ② **Fit the Safety wire lug to the camera.**
Recommended tightening torque: 0.59 N·m {0.44 lbf·ft}



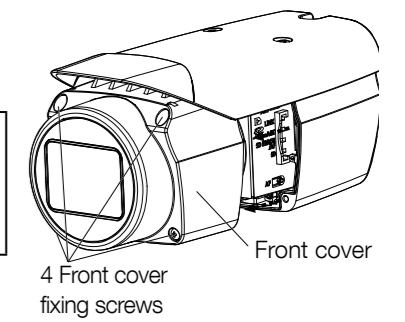
* The safety wire is not shown in the subsequent illustrations.

[2] Remove the front cover.

- Loosen the four front cover fixing screws and remove the front cover.

IMPORTANT:

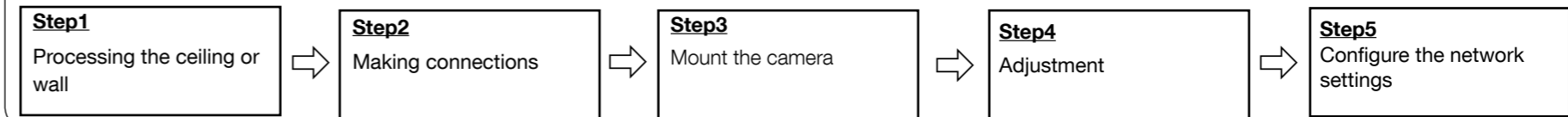
- Because the front cover is temporarily removed when installing or adjusting the camera, make sure no liquid enters the camera at these times.



Installation

The installation tasks are explained using 5 steps.

Remove the camera using the reverse order of the installation procedures.



About notations

The following notations are used when describing the functions limited for specified models. The functions without the notations are supported by all models.

- [S1531]**: The functions with this notation are available when using the model WV-S1531LTN / WV-S1531LN.
- [S1511]**: The functions with this notation are available when using the model WV-S1511LN.

About the user manuals

Product documentation is composed of the following documents.

- **Installation Guide (this document):** Explains installation, mounting, cable connections, and adjusting the field of view. This manual uses the WV-S1511LN as an example in the explanations.
- **Important Information (included in the CD-ROM):** Provides basic information about the product.
- **Operating Instructions (included in the CD-ROM):** Explains how to perform the settings and how to operate this camera.

Adobe® Reader® is required to read these operating instructions on the provided CD-ROM.

When the Adobe Reader is not installed on the PC, download the latest Adobe Reader from the Adobe web site and install it.

The external appearance and other parts shown in this manual may differ from the actual product within the scope that will not interfere with normal use due to improvement of the product.

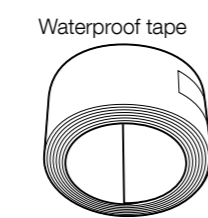
Standard accessories

Installation Guide (this document)	1 set	CD-ROM*2.....	1 pc.
IMPORTANT SAFETY INSTRUCTIONS.....	1 pc.	Code label*3.....	1 pc.
Warranty card*1	1 set		

- *1 This product comes with several types of warranties. Each warranty is only applicable to the products purchased in the regions indicated on the relevant warranty.
- *2 The CD-ROM contains the operating instructions and different kinds of tool software programs.
- *3 This label may be required for network management. Use caution not to lose this label.

The following parts are used during installation procedures.

Camera mount bracket cover	2 pc.	Wire lug fixing screw with a spring washer	M3 x 10 mm {3/8 inches}	2 pcs.
Camera mount bracket cover fixing screw	(M3 x 6 mm {1/4 inches})	(of them, 1 for spare)	Safety wire lug	1 pc.
Waterproof tape.....	1 pc.	Adapter box	Mounting screws for adapter box	(M5 x 20 mm {13/16 inches})
RJ45 waterproof connector cover	1 pc.	(of them, 1 for spare)	Adapter box mounting screw	(M4 x 35 mm {1- 3/8 inches})
RJ45 waterproof connector cap	1 pc.		Auxiliary handle [S1511]	1 pc.
4P alarm cable	1 pc.			
2P power cable	1 pc.			
Safety wire	1 pc.			



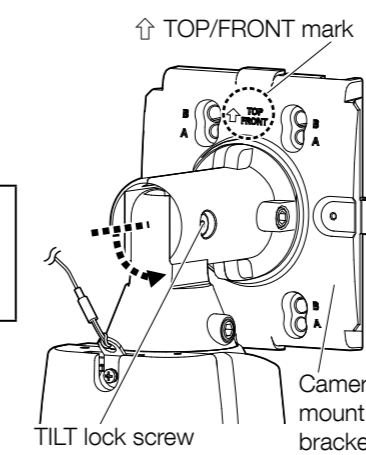
Step 1 Processing the ceiling or wall

*There are 3 methods to install the camera to a ceiling or wall.

- [Common]** Using a 5 mm {3/16 inches} hex wrench (locally procured), loosen the TILT lock screw by about 1 turn until the camera faces downward and then temporarily tighten the TILT lock screw.

IMPORTANT:

- Be sure to install the camera at least 2 m 80 cm {9.2 feet} from the floor (the distance between the lowest part of the installed camera and the floor).



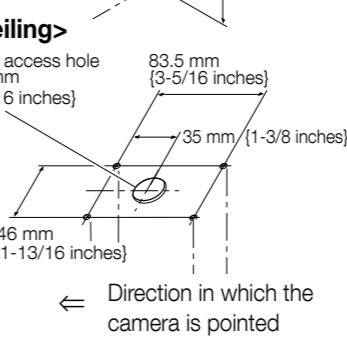
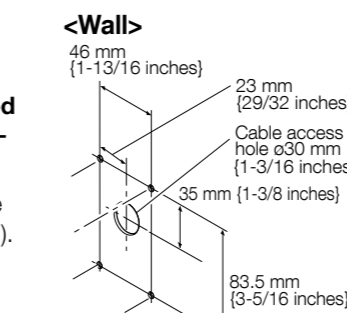
[Type 1] Directly mount the camera onto the ceiling or wall.

Determine the position where the camera is to be mounted on the ceiling or wall and drill a hole for securing the camera and wiring as shown in the illustration to the right.

* Determine the diameter and depth of the hole according to the size of fixing screws or anchors (4 M5 screws, locally procured).

Note:

- When installing on a wall, drill a cable access hole closer to the top side.
- When installing on a ceiling, drill a cable access hole so that it comes to closer to the direction in which the camera is pointed.
- When running the cable using the side cable access hole of the camera, the "cable access hole" indicated in the right figure is not required. (For the side cable access hole of the camera, see the figure of ② in [Type 1] of "Step3 Mount the camera".)



[Type 2] Mount the camera to a junction box.

No operation is required in processing the ceiling or wall.

Note:

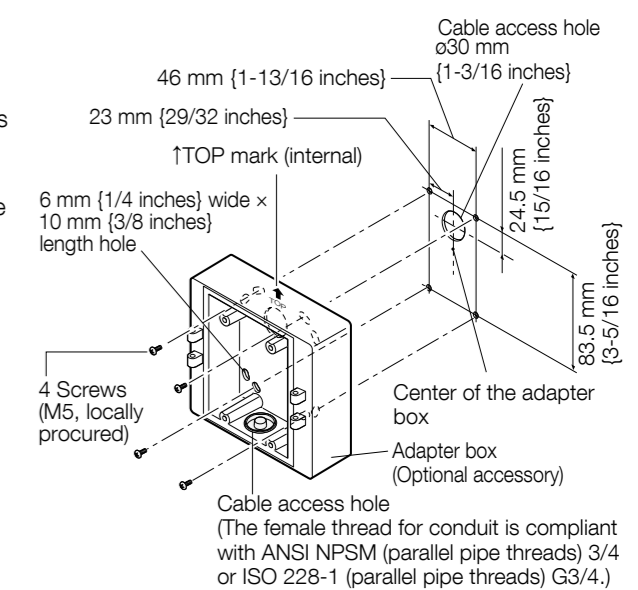
- When junction boxes or the like are used, it is recommended that 2 pieces be used side by side. (Securing the camera to one junction box and making connections to the other makes cable connections easy.)

[Type 3] Mount the camera onto the ceiling or wall using the Adapter box (accessory)

* The following explains an example of mounting the camera on a wall.

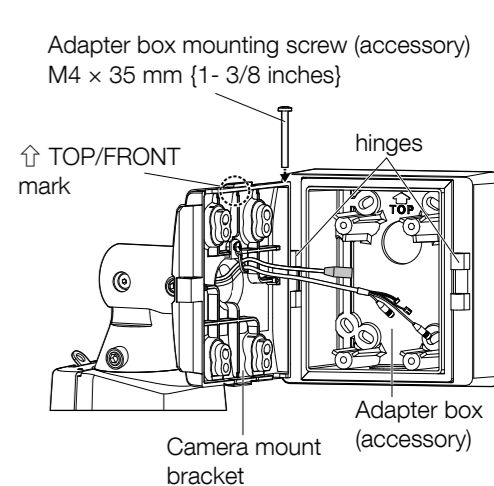
① Secure the adapter box to the wall.

- Drill pilot holes and a cable hole (see the illustration to the right for their dimensions). (Drill pilot holes only if making connections through the cable hole from the side.)
- Be sure to face "TOP" inside the adapter box upward.
- Use 4 screws (M5:locally procured) to directly secure the adapter box to the wall. Minimum pull-out strength: 724 N {163 lbf} (per 1 pc.)
- To install this product outdoors, be sure to waterproof the screws and cable pass holes.



② Temporarily secure the camera mount bracket and camera to the adapter box.

- Use the adapter box mounting screw (M4 x 35 mm {1- 3/8 inches}; accessory) for installing the camera to temporarily install the camera mount bracket to the left or right hinge of the adapter box so that it can be opened and closed.
- Secure the camera mount bracket with "↑ TOP/FRONT" facing upward.
- When the wall is on one side or the other, install the adapter box to the hinge on the opposite side of the wall.
- Secure the camera mount bracket to the hinge of the adapter box using the following tightening torque. Recommended tightening torque: 0.78 N·m {0.58 lbf·ft}



Important safety instructions

- 1) Read these instructions.
 - 2) Keep these instructions.
 - 3) Heed all warnings.
 - 4) Follow all instructions.
 - 5) Do not block any ventilation openings. Install in accordance with the manufacturer's instructions.
 - 6) Do not install near any heat sources such as radiators, heat registers, stoves, or other apparatus (including amplifiers) that produce heat.
 - 7) Only use attachments/accessories specified by the manufacturer.
 - 8) Use only with the cart, stand, tripod, bracket, or table specified by the manufacturer, or sold with the apparatus. When a cart is used, use caution when moving the cart/apparatus combination to avoid injury from tip-over.
-
- 9) Unplug this apparatus during lightning storms or when unused for long periods of time.
 - 10) Refer all servicing to qualified service personnel. Servicing is required when the apparatus has been damaged in any way, such as power-supply cord or plug is damaged, liquid has been spilled or objects have fallen into the apparatus, the apparatus has been exposed to rain or moisture, does not operate normally, or has been dropped.

Troubleshooting

Before requesting service, refer to the Important Information (included in the CD-ROM) and "Troubleshooting" in the Operating Instructions (included in the CD-ROM) and confirm the trouble.

Open Source Software

- This product contains open source software licensed under GPL (GNU General Public License), LGPL (GNU Lesser General Public License), etc.
- Customers can duplicate, distribute and modify the source code of the software under license of GPL and/or LGPL.
- Refer to the "readme.txt" file on the provided CD-ROM for further information about open source software licenses and the source code.
- Please note that Panasonic shall not respond to any inquiries regarding the contents of the source code.

