

iA (intelligent Auto) H.265 Network Camera

Panasonic WV-S1531LN captures the highest quality images automatically even in very challenging and fast-changing surveillance environments. Intelligent Auto (iA) monitors scene dynamics and motion to adjust key camera settings automatically in real-time reducing distortion such as motion blur on moving objects. New industry-leading 144dB dynamic range delivers balanced scene exposure in dynamic and extreme-backlit lighting environments. In addition, color night vision provides outstanding low-light performance with accurate color rendition and saturation from i-Pro's 1/3" sensor, rivaling the performance of costlier 1/2" sensor cameras in the market. Adopting H.265 Smart Coding technology, intelligently reduces bandwidth efficiency of up to an average 75 percent over H.264 for longer recording and less storage. Cameras out-of-the-box, support full data encryption streaming and is compliant to FIPS 140-2 Level 1 standards to keep your video secured.

Extreme image quality for evidence capturing under challenging conditions.

- Auto Shutter speed control for fast moving vehicles
- Sharp and clear image of a walking person day & night
- Outstanding low light performance in true color with low noise for night time applications
- Super Dynamic 144dB for backlit situation and shadows on the streets at night

Extreme H.265 compression with new Smart Coding

- Longer recording, less storage compared to any H.264 based compression techniques
- New self-learning ROI* encoding (Auto VIQS) dynamically detect motion areas to keep vehicles and human in good picture quality while lowering your bandwidth
- New "Smart Facial Coding" adds more bandwidth reduction for ID camera applications mainly capturing faces

* Region of Interest

Extreme Data Security

- Full encryption SD card edge recording to keep your data safe
- FIPS 140-2 Level 1 compliant
- Full end-to-end system encryption with supported VMS and devices to protect from IP snooping/spoofing and detect data alteration

Key Features

- Full HD 1080p 60fps
- iA (intelligent Auto)
- Extreme Super Dynamic 144dB
- Color night vision (0.0008 to 0.012 lx)
- H.265 Smart Coding
- FIPS 140-2 Level 1 compliant
- Clear Sight Coating

Applications

- Public safety (City / Highway tolls / Parking gates)
- Transportation (Airport / Train / Subway)
- Retail / Bank / Logistics / Education / Hospital / Building



Specifications

| | | |
|------------------------|--|--|
| Camera | Image Sensor | Approx. 1/3 type MOS image sensor |
| | Minimum Illumination | Color : 0.012 lx, BW : 0.006 lx (F1.6, Maximum shutter : Max. 1/30s, AGC : 11) BW : 0 lx (F1.6, Maximum shutter : Off(1/30 s), AGC : 11, when the IR LED is lit) Color : 0.0008 lx, BW : 0.0004 lx (F1.6, Maximum shutter : Max. 16/30s, AGC : 11) *1 |
| | White Balance | AWC (2,000 - 10,000 K), ATW1 (2,700 - 6,000 K), ATW2 (2,000 - 6,000 K) |
| | Shutter Speed | Off(1/30) to 1/10000 *1/30 Fix to 2/100 Fix is available during 30 fps mode only. *2/120 Fix is available during 60 fps mode only. |
| | Intelligent Auto | On / Off |
| | Super Dynamic*2 | On / Off, the level can be set in the range of 0 to 31. |
| | Dynamic Range | 144 dB (Super Dynamic : On) |
| | Adaptive Black Stretch | The level can be set in the range of 0 to 255. |
| | Black light compensation / High light compensation | BLC (Black light compensation) / HLC (High light compensation) / Off (Only when Super dynamic and Intelligent Auto : Off) |
| | Fog compensation | On / Off (Only when Intelligent Auto : Off) |
| | Maximum gain (AGC) | The level can be set in the range of 0 to 11. |
| | Day/Night (ICR) | Off / On / Auto1 (Normal) / Auto2 (IR Light) / Auto3 (SCC) |
| | IR LED | Off / Auto (High / Mid / Low) irradiation distance : 40 m (131 feet) |
| | Digital Noise Reduction | The level can be set in the range of 0 to 255. |
| | Video Motion Detection | On / Off, 4 areas available |
| | Image Stabilizer | On / Off (available only in the 30 fps mode) |
| | Privacy Zone | On / Off (up to 8 zones available) |
| | Image rotation*3 | 0 ° / 90 ° / 180 ° / 270 ° |
| | Camera Title (OSD) | On / Off Up to 20 characters (alphanumeric characters, marks) |
| | Focus Adjustment | Auto back focus / Manual |
| Lens | Focal length | 2.8 - 10 mm (1/8 inches - 13/32 inches) |
| | Zoom ratio | 3.6 x (Motorized zoom / Motorized focus) |
| | Angular Field of View | [16 : 9 mode] Horizontal : 31° (TELE) - 112° (WIDE) Vertical : 17° (TELE) - 60° (WIDE) [4 : 3 mode] Horizontal : 26° (TELE) - 91° (WIDE) Vertical : 19° (TELE) - 67° (WIDE) |
| | Maximum Aperture Ratio | 1 : 1.6 (WIDE) - 1 : 3.4 (TELE) |
| | Focusing Range | 0.3 m (11-13/16 inches) - ∞ |
| Adjusting Angle | Ceiling mounting | Horizontal : ±180 ° (PAN rotation part) Vertical : 0 ° to 100 ° (TILT rotation part) Yaw : -190 ° to +100 ° (YAW rotation part) |
| | Wall mounting | Horizontal : ±100 ° (TILT rotation part)* Vertical : ±100 ° (TILT rotation part)* Yaw : -190 ° to +100 ° (YAW rotation part) * You can change between horizontal and vertical angles by adjusting the PAN rotation part. |
| | Camera Control | Brightness, AUX On / Off |
| | Audio | Mic (Line) Input : On / Off Volume adjustment : Low / Middle / High Audio Output : On / Off Volume adjustment : Low / Middle / High |
| Browser GUI | GUI / Setup Menu Language | English, Italian, French, German, Spanish, Portuguese, Russian, Chinese, Japanese |
| | Network IF | 10Base-T / 100Base-TX, RJ45 connector |
| Network | Image Resolution | *2 mega pixel [16 : 9] (30/60 fps) 1,920 x 1,080 / 1,280 x 720 / 640 x 360 / 320 x 180 *3 mega pixel [4 : 3] (30 fps) 2,048 x 1,536* / 1,280 x 960 / 800 x 600 / 640 x 480 / 400 x 300 / 320 x 240 *Used by super resolution techniques |
| | H.265/ H.264 *4 | Transmission Mode Constant bit rate / Variable bit rate / Frame rate / Best effort |
| | JPEG | Transmission Type Unicast / Multicast |
| | | Image Quality 10 steps |
| | | |

| | | |
|------------------------|------------------------------------|---|
| Network | Smart Coding | Smart Facial Coding : On (Smart Facial Coding) / On (Auto VIQS) / Off *Smart Facial Coding is only available with Stream(1). GOP (Group of pictures) : On (Advanced) / On (Low) / On (Mid) / Off *On(Advanced) is only available with H.265. |
| | Audio Compression | G.726 (ADPCM) : 32 kbps / 16 kbps, G.711 : 64 kbps, AAC-LC*5 : 64 kbps / 96 kbps / 128 kbps |
| | Audio transmission mode | Off / Mic (Line) input / Audio output / Interactive (Half duplex) / Interactive (Full duplex) |
| | Supported Protocol | IPv6 : TCP/IP, UDP/IP, HTTP, HTTPS, RTP, FTP, SMTP, DNS, NTP, SNMP, DHCPv6, MLD, ICMP, ARP, DiffServ IPv4 : TCP/IP, UDP/IP, HTTP, HTTPS, RTSP, RTP, RTP/RTCP, FTP, SMTP, DHCP, DNS, DDNS, NTP, SNMP, UPnP, IGMP, ICMP, ARP, DiffServ |
| | No. of Simultaneous Users | Up to 14 users (Depends on network conditions) |
| | SDXC/SDHC/SD Memory Card (Option) | H.265 / H.264 recording : Manual REC / Alarm REC (Pre/Post) / Schedule REC / Backup upon network failure JPEG recording : Manual REC / Alarm REC (Pre/Post) / Backup upon network failure Compatible SD (SDHC/SDXC) card : Panasonic 2 GB, 4 GB*, 8 GB*, 16 GB*, 32 GB*, 64 GB**, 128 GB** model *SDHC card, ** SDXC card (except miniSD card and microSD card) |
| | Mobile Terminal Compatibility | iPad, iPhone, Android™ mobile terminals |
| | Alarm Source | 3 terminals input, VMD, Command alarm, Audio detection alarm |
| | Alarm Actions | SDXC/SDHC/SD memory recording, E-mail notification, HTTP alarm notification indication on browser, FTP image transfer, Panasonic protocol output |
| | Input/ Output | Monitor Output (for adjustment) |
| Microphone/Line Input | | ø3.5 mm stereo mini jack (Applicable microphone : Plug-in power type) Supply voltage : 2.5 V ±0.5 V |
| Audio Output | | ø3.5 mm stereo mini jack (monaural output) Output impedance : Approx. 600 Ω (unbalanced) |
| External I/O Terminals | | ALARM IN 1 (DAY/NIGHT IN, Auto time adjustment) (x1), ALARM IN 2 (ALARM OUT) (x1), ALARM IN 3 (AUX OUT) (x1) |
| General | Power Source and Power Consumption | DC power supply : DC12 V / 750 mA / Approx. 9.0 W PoE (IEEE802.3af compliant) Device : DC48 V / 195 mA / Approx. 9.4 W (Class 0 device) |
| | Ambient Operating Temperature | -40 °C to +60 °C (-40 °F to 140 °F) |
| | Ambient Operating Humidity | 10 to 100 % (no condensation) |
| | Water and Dust Resistance | IP66, IEC60529 measuring standard compatible, Type 4X(UL50), NEMA 4X compliant |
| | Shock Resistance | Compliant with IK10 (IEC 62262) |
| | Dimensions | 95 mm (W) x 99 mm (H) x 337 mm (L) (3-3/4 inches (W) x 3-5/7/64 inches (H) x 1ft 1-17/64 inches (L)) |
| | Mass (approx.) | Approx. 1.6 kg (3.53 lbs) |
| | Finish | Main body : Aluminum die cast, light gray Front cover section clear part : Clear polycarbonate resin (clear sight coating) |

*1 Converted value

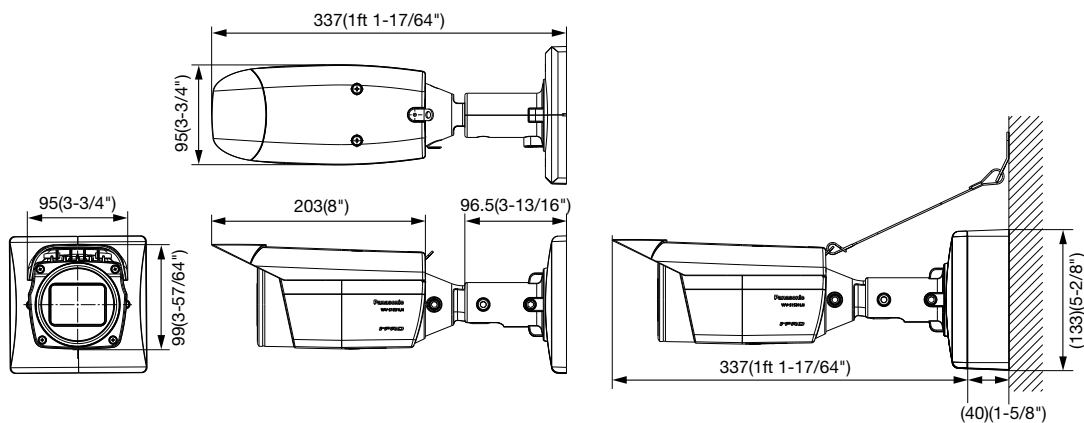
*2 Super Dynamic function is automatically set off on 60 fps mode.

*3 When "3 mega pixel [4 : 3] (30fps mode)" is selected for "Image capture mode", "90 °" and "270 °" cannot be selected.

*4 Transmission for 4 streams can be individually set.

*5 Only use AAC-LC (Advanced Audio Coding - Low Complexity) when recording audio on an SD memory card.

Appearance



Unit : mm (inches)

Trademarks and registered trademarks

- iPad and iPhone are registered trademarks of Apple Inc.
- Android is a trademark of Google Inc.
- ONVIF and the ONVIF logo are trademarks of ONVIF Inc.
- All other trademarks identified herein are the property of their respective owners.

• Masses and dimensions are approximate. • Specifications are subject to change without notice.

Important

- Safety Precaution : Carefully read the Important Information, Installation Guide and operating instructions before using this product.
- Panasonic cannot be responsible for the performance of the network and/or other manufacturers' products used on the network.

DISTRIBUTED BY :

Panasonic

<http://security.panasonic.com>

<http://www.facebook.com/PanasonicNetworkCamera>

(2A-181AL)