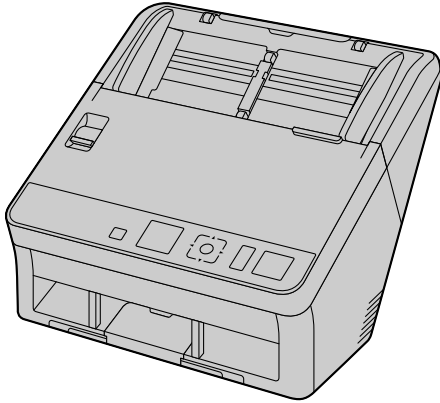


Panasonic®



Operating Manual

Document Scanner

Model No. KV-S1057C
KV-S1027C
KV-SL1066
KV-SL1056
KV-SL1055
KV-SL1036
KV-SL1035

These instructions contain information on operating the scanner. Before reading these instructions, please read the Quick Installation Guide enclosed with this unit.

Keep all documentation in a safe place for future reference.

Current model availability depends on your country/area. Please contact your dealer.

Introduction

Thank you for purchasing a Panasonic Document Scanner.

Feature Highlights

List of Available Features and Equipment

	KV-S1057C	KV-S1027C	KV-SL1066	KV-SL1056	KV-SL1055	KV-SL1036	KV-SL1035
Scanning speed Simplex (pages/min.)	65	45	65	45	40	35	30
Scanning speed Duplex (images/min.)	130	90	130	90	80	70	60
Background color switch function	Yes	Yes	Yes	Yes	Yes	Yes	Yes
Double feed detection function	Yes	Yes	Yes	Yes	Yes	Yes	Yes
Double Feed Skip (DFS) function	Yes	Yes	Yes	Yes	Yes	Yes	Yes
Card scanning	Yes	Yes	Yes	Yes	Yes	Yes	Yes
Mixed batch card guide	Yes	Yes	Yes	Yes	Yes	Yes	Yes
Manual feed selector	Yes	Yes	Yes	Yes	Yes	Yes	Yes
LCD	Yes	Yes	No	No	No	No	No
7-segment LED	No	No	Yes	Yes	Yes	Yes	Yes
Interface	USB 3.0	USB 3.0	USB 2.0	USB 2.0	USB 2.0	USB 2.0	USB 2.0
Barcode recognition (Image Capture Plus, TWAIN only)	Yes	Yes	No	No	No	No	No

Notice

- Scanning speeds based on scanning using A4 size paper, 200 / 300 dpi and monochrome / color.

High-speed Double Sided Scanning

- This scanner can scan documents at high speed, regardless of the image type (monochrome / color).

Background Color Switch Function

- Using the software, you can switch the background color of scanned images between white and black.

Double Feed Detection Function

- This scanner contains an ultrasonic sensor for the detection of double feeding. Double feeding can be detected even if you scan documents that contain paper of various thicknesses.

Double Feed Skip (DFS) Function

- If scanning has been stopped because a double feed was detected, you can easily resume scanning by pressing the Skip button. When you scan documents that include items that you do not want to be detected as double feeding (for example, documents that have receipts attached, envelopes, etc.), the double feed detection function can be enabled and still scan these documents.

Push Scan

- This scanner has a push scan function for starting scanning without operation through a computer. Scanning is started by selecting from settings that have been registered in advance with the cursor button, and then pressing the scanner's OK button¹ or Start/Stop button². This scanner also has a function that starts scanning when you place documents on the feed tray (Touch Free Scanning).

¹ KV-S1057C and KV-S1027C

² KV-SL1066, KV-SL1056, KV-SL1055, KV-SL1036 and KV-SL1035

Card Scanning

- A maximum of 3 cards can be loaded on the feed tray.

Mixed Batch Card Guide

- A mixed batch card guide is available for scanning mixed media (cards and papers) at the same time.

Manual Feed Selector

- Bound documents can be scanned by setting the manual feed selector to manual scanning (Manual).

Other Features

- The paper feed path can be opened widely to easily remove jammed paper and perform maintenance.
- This scanner has a counter function which indicates the approximate time for cleaning and replacement of the rollers. The counters can be configured and checked in User Utility.

Abbreviations

- Windows® refers to the Microsoft® Windows® operating system (hereafter Windows).
- Windows® XP refers to the Microsoft® Windows® XP operating system (hereafter Windows XP).
- Windows Vista® refers to the Microsoft® Windows Vista® operating system (hereafter Windows Vista).
- The explanations and screen shots in this manual are based on the Windows 7 operating system.
- The screen shots used in this manual may differ from the screens displayed on your computer.
- The illustrations in this manual are based on the KV-S1057C.

Trademarks

- Microsoft, Windows, Windows Vista, and Internet Explorer are either registered trademarks or trademarks of Microsoft Corporation in the United States and/or other countries.
- ISIS is a registered trademark or trademark of EMC Corporation in the United States and/or other countries.
- IBM is a trademark of International Business Machines Corporation, registered in many jurisdictions worldwide.
- Intel and Intel Core are trademarks of Intel Corporation in the U.S. and/or other countries.
- Adobe and Adobe Reader are either registered trademarks or trademarks of Adobe Systems Incorporated in the United States and/or other countries.
- All other trademarks identified herein are the property of their respective owners.

About the Documentation

The scanner documentation consists of 2 manuals: the Operating Manual (this manual), and the Quick Installation Guide.

Operating Manual (this manual)	This manual provides information about the operation of the unit.
Quick Installation Guide	The Quick Installation Guide explains about safety precautions and other important information, and outlines brief installation procedures of the unit and software.

About the Software Help

Each software contains help files.

For details about viewing the help files, see "To view the help" (page 22).

Software / Manual CD-ROM Contents

Drivers	Device Driver	—
	TWAIN	—
	ISIS	—
Applications	Image Capture Plus	Panasonic proprietary application for configuring advanced scanning settings
Utilities	User Utility	—
	Scan Button Setting Tool	—
Documents	Operating Manual	This manual
	Control sheet	See "Using Control Sheets" (page 46).

System Requirements

Computer	IBM® PC/AT or compatible machine with a CD-ROM drive
CPU	Intel® Core™ i5 2.5 GHz or higher
Memory	4 GB or higher
Interface	USB 2.0 / USB 3.0

Note

- For details about the system requirements, refer to [Read me first] in the Software / Manual CD-ROM.
- The scanning speed differs depending on the host computer's operating environment or the application used.
- Due to the slower speed of USB 1.1, it is recommended to use a USB 2.0 / USB 3.0 interface.
- If you connect the unit to a USB hub, it is not guaranteed to work.

Optional Accessories

Part Name	Part Number	Notes
Roller exchange kit <ul style="list-style-type: none">• Paper feed roller• Double feed prevention roller module	KV-SS061	See "Replacing the Rollers" (page 60).
Roller cleaning paper	KV-SS03	See "Roller Cleaning Paper" (page 10).
Carrier sheet	KV-SS076	See "Compatible Bound Documents (Manual Scanning Only)" (page 26).

Note

- To purchase separately sold items, contact your dealer.

Table of Contents

Before You Start	9
Precautions	9
Check the Accessories	11
Location of Controls	12
Main Unit	12
Front	12
Rear	13
Operation Panel and LED Indicators	14
Installation	17
Required Space Around the Scanner	17
Installing the Software	18
Installing the Unit	20
Viewing Operating Manual and Help Installed	22
Operation	23
Preparing Documents	23
Compatible Paper Types	23
Compatible Card Types	25
Compatible Bound Documents (Manual Scanning Only)	26
Incompatible Documents	29
Notes about Documents for Scanning	30
Notes about Double Feed Detection	30
Switching the Background Color of Scanned Images	31
Continuous Scanning (Auto) and Manual Scanning (Manual)	32
Mixed Batch Card Guide	33
Installing the mixed batch card guide	33
Removing the mixed batch card guide	35
Using the Mixed Batch Card Guide	37
Scanning Documents	38
Performing a push scan	42
Using Control Sheets	46
About Printing Control Sheets	47
Clearing Paper Jams	48
Clearing Paper Jams	48
Care and Maintenance	50
Cleaning the Outside of the Scanner	50
Cleaning the Inside of the Scanner	51
Cleaning the Conveyor and Scanning Glasses	53
Cleaning the Double Feed Detectors and Starting Sensors	54
Cleaning the Rollers	55
Replacing the Rollers	60
Appendix	66
Troubleshooting	66
Error Messages (KV-S1057C and KV-S1027C only)	69
Uninstalling the Software	70
Repacking Instructions	71
Specifications	72

Index.....74

Precautions

Illegal Duplication

It is unlawful to make duplication of certain documents.

Duplicating certain documents may be illegal in your country/area.

Penalties of fines and/or imprisonment may be imposed on those found guilty. The following are examples of items that may be illegal to duplicate in your country/area.

- Currency
- Bank notes and checks
- Bank and government bonds, and securities
- Passports, licenses, official or private documents, identification cards, and the like
- Copyright materials, or trademarks without the consent of the owner
- Postage stamps, and other negotiable instruments

This list is not inclusive, and no liability is assumed for either its completeness or accuracy. In case of doubt, contact your legal counsel.

Notice

Install your machine near a supervised area to prevent illegal duplication from being made.

Installation

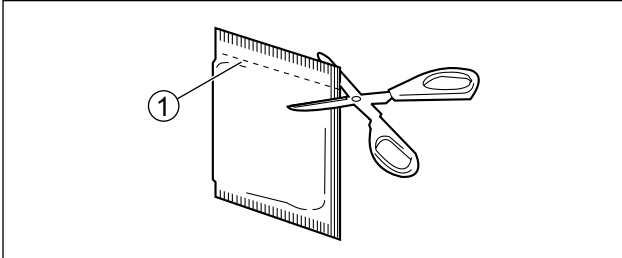
- Do not place the unit in direct sunlight, in a cold draft, or near heating apparatus.
- Do not place the unit near apparatus which generate electronic or magnetic noise.
- Protect the unit from static electricity.
- Do not move the unit immediately from a cold place to a warm place. It may cause dew.
- When the unit is not used over an extended period of time, turn the unit off, and unplug the power cord. The unit consumes approximately 0.5 W of electricity even when the main unit is turned off.
- Use only the power cord and the USB cable that are provided with the unit.
- Do not turn ON the unit's power before installing the software.

CD-ROM

- Do not write or stick paper on the front and/or back of CD-ROM.
- Do not touch the data side of the CD-ROM. When handling the CD-ROM, be careful not to leave fingerprints or otherwise damage the CD-ROM.
- Do not leave the CD-ROM where it is directly exposed to sunlight or near a heater for extended periods.
- Do not throw or bend the CD-ROM.

Roller Cleaning Paper

Using a pair of scissors, open the bag along the dotted line (①), and take out the roller cleaning paper. If the bag is left opened for a long period of time before using it, the alcohol will evaporate. Please use the roller cleaning paper immediately after opening the bag.



Notice

- Keep the roller cleaning paper out of reach of small children.
- Do not store the roller cleaning paper in direct sunlight or in a place with a temperature over 40 °C (104 °F).
- Only use the roller cleaning paper to clean the rollers.
- For details about the roller cleaning paper, refer to the Material Safety Data Sheet (MSDS). Please ask your Panasonic sales company about obtaining the Material Safety Data Sheet.
- To purchase the roller cleaning paper (KV-SS03), please contact your dealer, or call our Supplies and Accessories department at 1-800-726-2797 (U.S.A. only).

KEEP AWAY FROM FIRE.

Security Notice

The management of documents and scanned data is the responsibility of the user. In particular, pay attention to the following points.


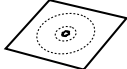
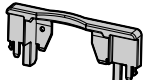


- Make sure you have the same number of pages for important documents both before and after scanning, and take care not to leave any pages in the scanner.
- Periodically back up important data.
- When having your computer or hard disk serviced, or when disposing of your computer or hard disk, completely erase any stored image data.

Others

- Make sure to remove paper clips and staples from documents before scanning. Failing to do so can damage the unit, document, or both.
- Do not use thinner, benzene, or cleaners containing abrasives or surfactants, for cleaning the outside of scanner.

Check the Accessories

Check that all accessories are included before installing the unit. In the event that an item is missing, please contact your dealer.

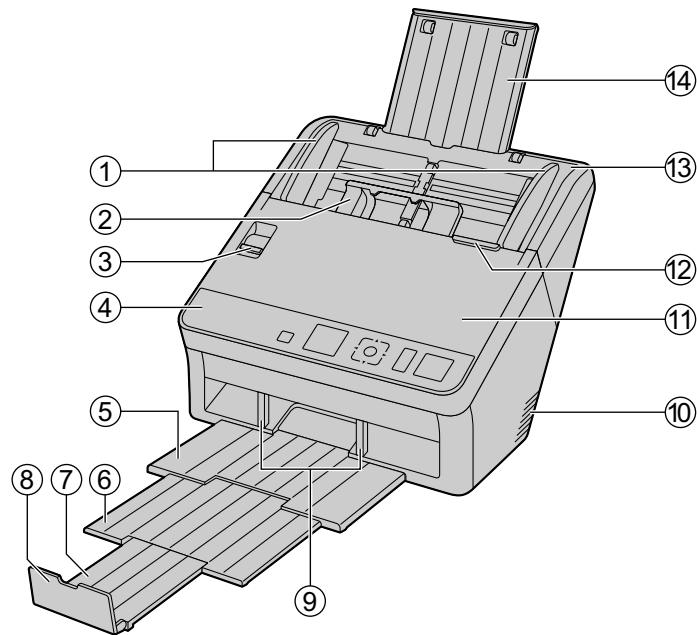
Accessories	Name	Notes
	USB cable	—
	Software / Manual CD-ROM	Drivers, Applications, Utilities, Documents
	Mixed batch card guide	When the unit is shipped, this is stored in the feed tray.
	Quick Installation Guide	—
	Power cord	Two power cords may be included. Use the power cord appropriate for where you use the unit.

Note

- It is highly recommended to keep the original carton and all packing materials. They are necessary when repacking.

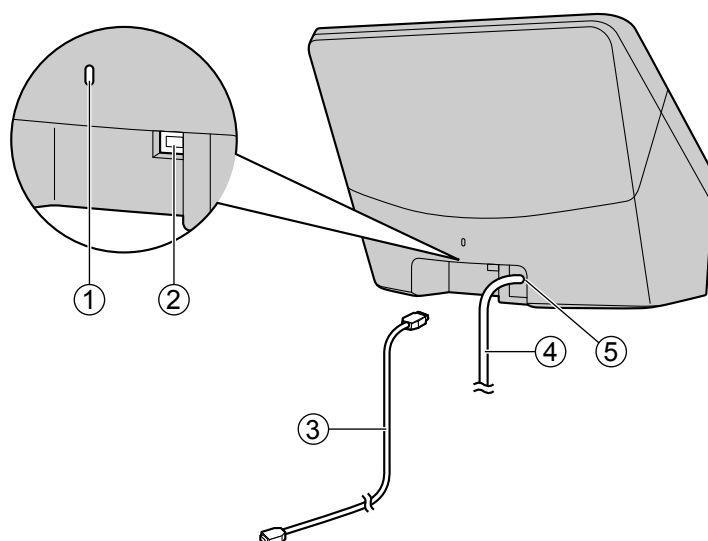
Main Unit

Front



- ① **Document guides**
- ② **Mixed batch card guide**
- ③ **Manual feed selector**
Switches the scanning method between continuous scanning (Auto) and manual scanning (Manual).
- ④ **Operation panel**
For details, refer to "Operation Panel and LED Indicators" (page 14).
- ⑤ **Exit tray**
- ⑥ **Exit extension tray 1**
- ⑦ **Exit extension tray 2**
- ⑧ **Exit stopper**
- ⑨ **Exit guides**
- ⑩ **Fan exhaust vent**
- ⑪ **ADF door**
- ⑫ **ADF door release**
- ⑬ **Feed tray**
- ⑭ **Feed extension tray**

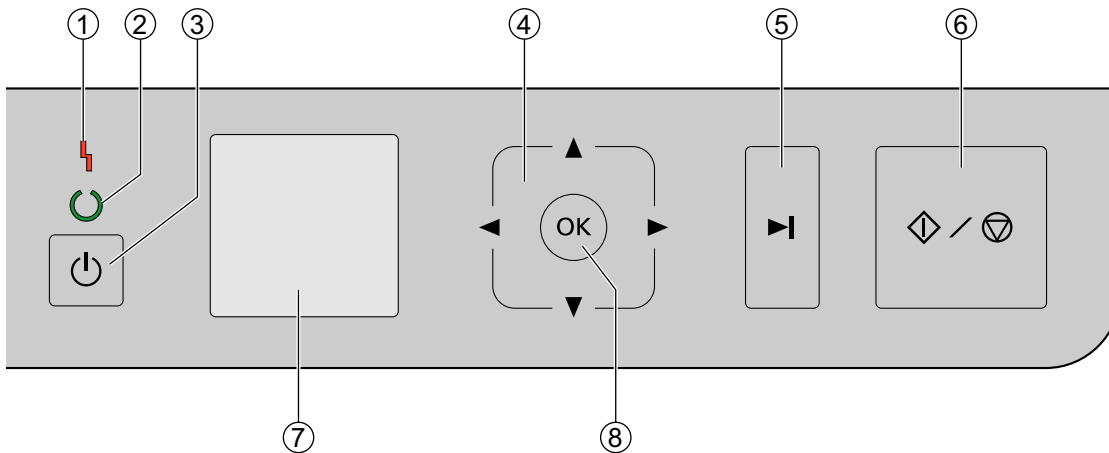
Rear



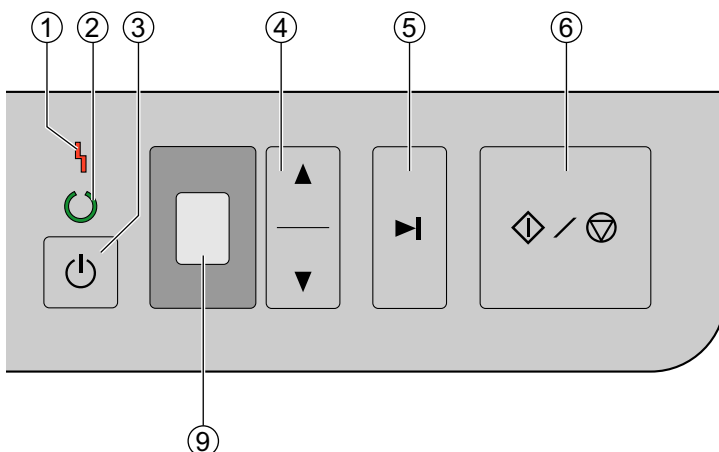
- ① **Security slot**
Use a commercially available security cable.
- ② **USB connector**
- ③ **USB cable**
Connect the USB cable to the scanner and the other end of the USB cable to the computer.
- ④ **Power cord**
- ⑤ **AC inlet**

Operation Panel and LED Indicators

■KV-S1057C and KV-S1027C



■KV-SL1066, KV-SL1056, KV-SL1055, KV-SL1036 and KV-SL1035



- ① **LED (Red)**
Lights when an error occurs.
- ② **LED (Green)**
Shows the scanner's status.
- ③ **Power button**
Press the power button for more than one second to turn the unit off.
- ④ **Cursor button**
- ⑤ **Skip button**
If you press this button after a double feed is detected and scanning has been paused, the document (or documents) detected as a double feed will be scanned, and then ejected from the scanner. Scanning will continue after the document is scanned and ejected.

⑥ Start/Stop button

- If you set [Wait Key] for "Manual Feed Mode" in your application software, pushing this button starts scanning. For details about "Manual Feed Mode", refer to the Image Capture Plus, TWAIN, or ISIS help.
- During scanning, pushing this button stops scanning.
- If you press this button after a double feed is detected and scanning has been paused, the document (or documents) detected as a double feed will be ejected from the scanner without being scanned. Scanning will stop.

■ KV-S1057C and KV-S1027C only**⑦ LCD****⑧ OK button**

If you are using the scanner with Image Capture Plus, you can perform a push scan using the LCD. Registered jobs are displayed on the LCD. Use the cursor button (④) to select a job. Also, error codes and messages corresponding to the scanner status are displayed on the LCD.

■ KV-SL1066, KV-SL1056, KV-SL1055, KV-SL1036 and KV-SL1035 only**⑨ 7-segment LED**

If you are using the scanner with Image Capture Plus, you can perform a push scan using the 7-segment LED. A registered job number is displayed on the 7-segment LED. Use the cursor button (④) to select a job.

About LED

The status of the scanner is displayed by the LED (Red) (①) and the LED (Green) (②), as shown in the table below:

① LED (Red)	② LED (Green)	Status
OFF	OFF	Power OFF ^{*1}
OFF	ON	Ready mode or Scanning
OFF	Blinking (Slow, Long ON)	Sleep mode ^{*2}
Blinking (Slow)	ON	Warning
ON	OFF	Error ^{*3}
OFF	Blinking (Fast)	Warming up
OFF	Blinking (Fast, 2 times consecutively)	Double Feed Skip mode

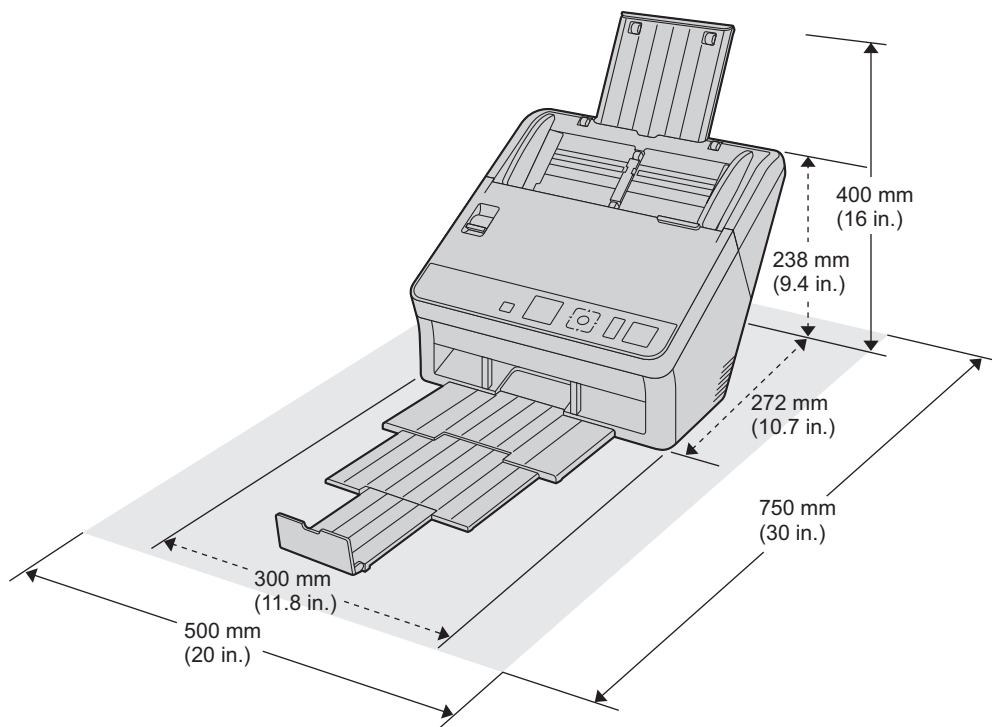
*1 If the power off feature in sleep mode is enabled, and if no operation is performed for a certain period of time, the scanner will be turned off automatically. Press the power button of the scanner to turn it on. You can enable/disable the power off feature, and change the time until the scanner turns off in User Utility.

*2 If no operation is performed for 15 minutes or longer, the scanner will enter sleep mode automatically to conserve energy. Press any button (except the power button) on the scanner's operation panel to return to ready mode. The time until the scanner enters sleep mode can be changed in User Utility.

*3 For details about the error, refer to "Error Messages (KV-S1057C and KV-S1027C only)" (page 69) or check in User Utility.

Required Space Around the Scanner

In order to ensure proper operation, install the unit maintaining the proper distances from surrounding objects, as shown in the following illustration.



Notice

- Do not move the unit immediately from a cold place to a warm place. It may cause condensation, which may damage the unit.

Installing the Software

Notice

- Make sure to connect the unit to your computer after installing the software. Connecting the unit to your computer and turning on the unit's power before installing the software may influence the software installation. If you connect the unit to your computer and turn on the unit's power before installing the software by mistake, install the software after disconnecting the unit from your computer.
- Make sure to log on as an administrator to install the software.

The software on the enclosed Software / Manual CD-ROM can be installed on your computer. You can select from the 2 installation methods below, depending on your needs.

- a. Complete:** Install all the drivers, applications, utilities and Operating Manual.
- b. Custom:** Install one of the software or Operating Manual.

Note

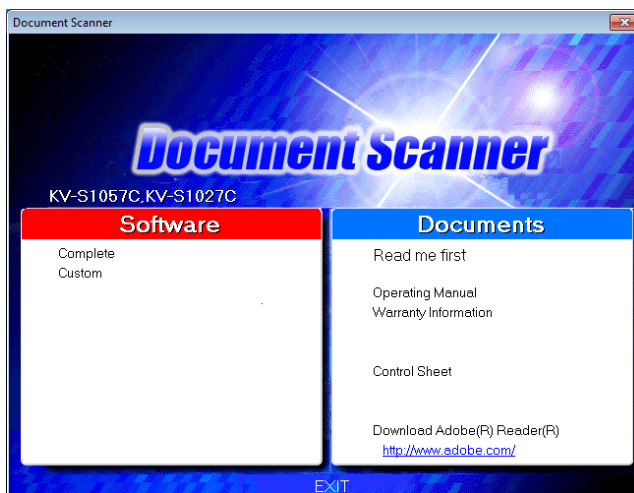
- Normally, it is recommended to select [Complete].

1. Check that the unit has been turned off.
 - If the power is turned on, press and hold the power button for more than one second to turn the unit off.
2. Insert the Software / Manual CD-ROM into the CD/DVD drive on your computer.
 - If you have a feature called "Autorun" activated, the installation process will start automatically.
 - The setup window will appear.

Note

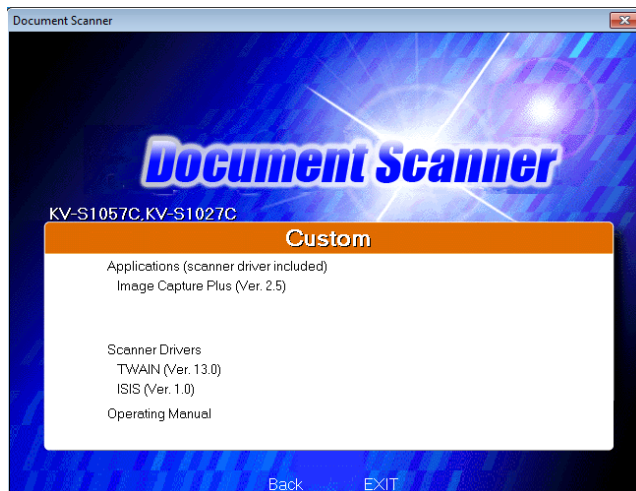
- If the AutoPlay dialog box is displayed, select [CDRun.exe].
- If the setup window does not appear, double-click [CDRun.exe] in the Software / Manual CD-ROM.

3. Check the [Read me first] file.



4. Select the desired installation methods from "Software" on the left side of the screen.
 - If you selected [Complete], continue to step 6.
 - If you selected [Custom], continue to step 5.

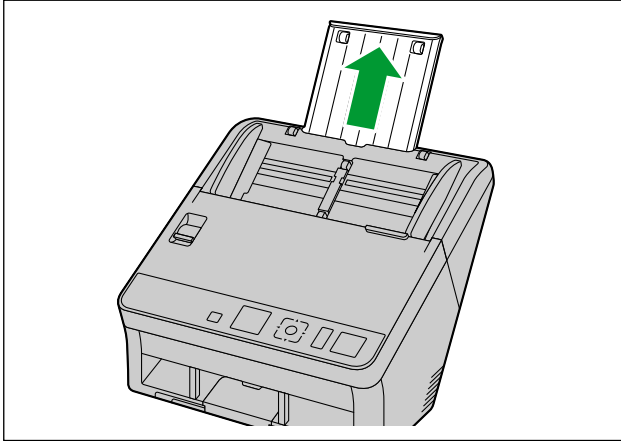
5. If you selected [Custom] for the installation type in step 4, select the item that you want to install.

**Note**

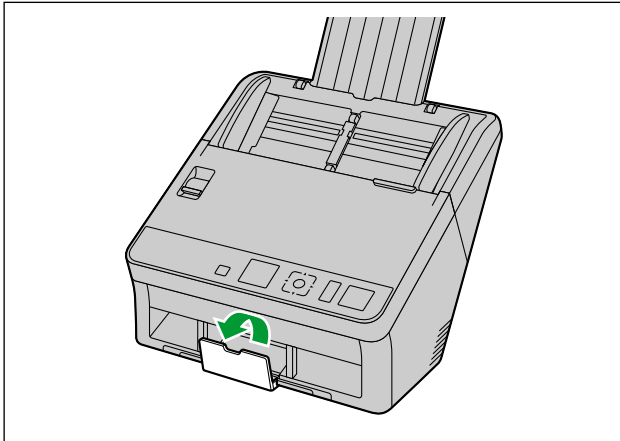
- If you select TWAIN or ISIS, Image Capture Plus will also be installed.
6. Follow the instructions on the screen and complete the installation.
 - Restart your computer if you are prompted to do so.

Installing the Unit

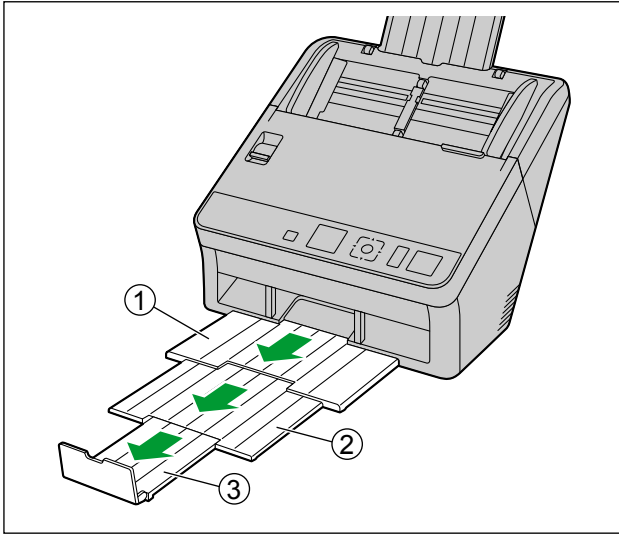
1. Remove all packing tape and cushioning.
2. Pull out the feed extension tray in the direction of the arrow shown in the illustration below.



3. Set the exit tray.
 - a. Raise the exit stopper.



- b. Pull out the exit tray (①) and the exit extension trays (②, ③).



Notice

- Do not forcefully pull out the exit stopper, the exit tray, or the exit extension trays. Doing so may damage them.
4. Plug in the power cord and connect the USB cable.
5. Press the power button to turn ON the unit's power.
- The LED (Green) will flash and then turn on.
 - If the hardware wizard appears, follow the on-screen instructions to complete installation.

Viewing Operating Manual and Help Installed

If the manuals and software that were included on the Software / Manual CD-ROM have been installed on your computer, you can use the following procedure to view the Operating Manual and the software's help.

To view the Operating Manual

1. Select [All Programs] → [Panasonic] → [Scanner Manuals].
2. Select the manual.
 - The manual will open.

Note

- In Windows 8, select the [Panasonic Document Scanner] section on the Apps screen.

To view the help

Note

- We recommend that you view the help using Internet Explorer® 6.0 or later for Windows.

For Image Capture Plus

1. Select [All Programs] → [Panasonic] → [Image Capture Plus] → [Image Capture Plus Help].

For User Utility or Scan Button Setting Tool

1. Select [All Programs] → [Panasonic] → [Scanner Tools].
2. Select that item's help.

Note

- In Windows 8, select the [Panasonic Document Scanner] section on the Apps screen.

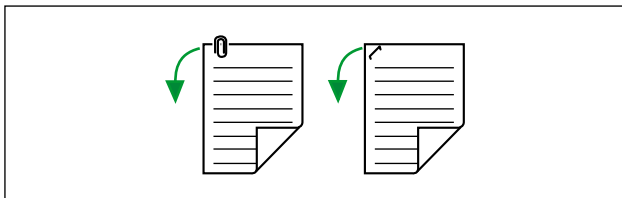
For TWAIN or ISIS

1. Click the help button on any driver screen.

Preparing Documents

Notice

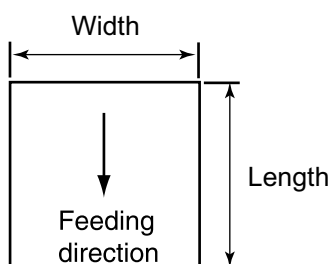
- Make sure to remove paper clips and staples from documents before scanning. Failing to do so can damage the unit, document, or both.



- It is recommended to confirm that documents and cards are suitable for scanning (paper size, thickness, type, etc.) before scanning them.
- Before feeding, ensure that the document is not creased or folded. If the document is creased or folded, a paper jam or damage to the document may occur.
- When scanning important documents, confirm that the number of scanned images matches the number of pages in the feed tray. Also, check the condition of the scanned documents.
- Remove documents from the exit tray after they have been scanned.

Compatible Paper Types

Paper size:



The compatible paper sizes for this unit are as follows.

Width	48 – 216 mm (1.9 – 8.5 in.)
Length	When feeding one sheet: 54 mm – unlimited (2.1 in. – unlimited) ^{*1} When feeding multiple sheets: 54 – 356 mm (2.1 – 14 in.)

^{*1} Using "Long Paper", you can scan long documents by splitting them into smaller parts. For details about "Long Paper", refer to the Image Capture Plus, TWAIN, or ISIS help.

Paper thickness:

0.04 – 0.5 mm (1.6 – 19.7 mils)

Note: 1 mil = 0.001 in.

Paper weight:

20 – 413 g/m² (5 – 110 lb.)

Paper capacity for the feed tray:

Paper length (L)	Combined thickness	Number of sheets	Paper weight
54 mm ≤ L ≤ 297 mm (2.1 in. ≤ L ≤ 11.7 in.)	10 mm (0.4 in.)	130	64 g/m ² (17 lb.) High-quality woodfree paper
		100	75 g/m ² (20 lb.) High-quality woodfree paper
		100	80 g/m ² (21 lb.) High-quality woodfree paper
297 mm < L ≤ 356 mm (11.7 in. < L ≤ 14 in.)	8 mm (0.31 in.)	80	64 g/m ² (17 lb.) High-quality woodfree paper
		80	75 g/m ² (20 lb.) High-quality woodfree paper
		80	80 g/m ² (21 lb.) High-quality woodfree paper

Recommended paper types:

<ul style="list-style-type: none"> • High-quality woodfree paper • Bond paper • Newspaper 	<ul style="list-style-type: none"> • Recycled paper • OCR paper • Bank checks
--	--

Note

- High-quality woodfree paper is the recommended paper type.
- Documents must also meet the following conditions:

Curl	
Folding	

Compatible Card Types

The compatible card types for this unit are as follows.

ISO format card:

Size: 85.6 × 54 mm (3.4 × 2.1 in.)

Thickness: 0.76 mm (0.03 in.)

- Embossed cards are also compatible. When scanning embossed cards, it is recommended to place them in landscape orientation with the side to be scanned facing up.
- A maximum of 3 cards can be loaded on the feed tray. When loading, ensure that the embossed portions of cards do not stick together.
- Use the landscape orientation when scanning an embossed card. If the scanning fails, place the card upside down, and then try again.
- Use the mixed batch card guide (page 33) when scanning mixed media (cards and papers) at the same time.

Compatible Bound Documents (Manual Scanning Only)

Bound documents can be scanned by setting the manual feed selector to manual scanning (Manual). You can use an optional carrier sheet (KV-SS076) to scan passports using manual scanning.

Passport size:

The passport sizes compatible with this unit are as follows.

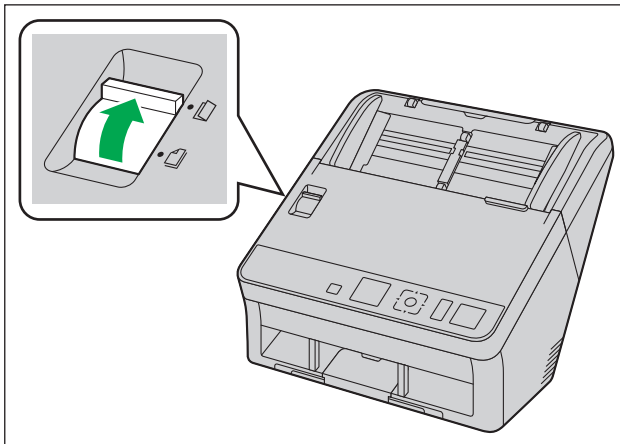
Width: 140 mm (5.5 in.) or less

Length: 190 mm (7.5 in.) or less

Thickness: 2.6 mm (0.1 in.) or less

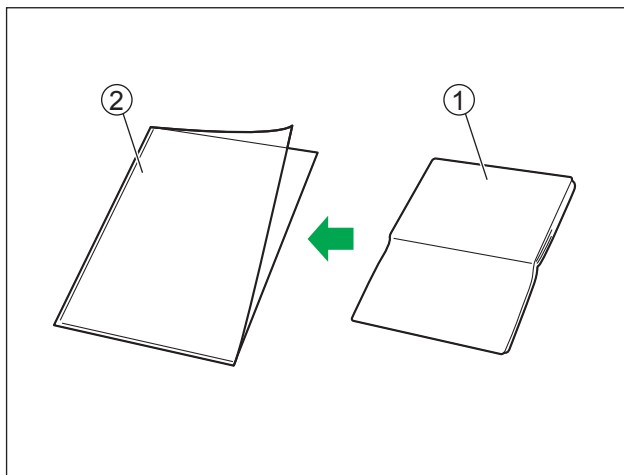
Scanning passports

1. Set the manual feed selector to manual scanning (Manual).



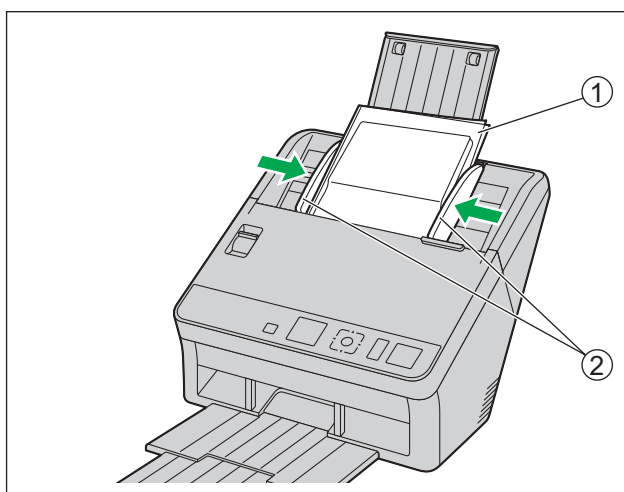
2. Put the passport in a carrier sheet.

- Open the passport (①) to the page you want to scan, and then put the thinner part (the opened half with less pages) in the carrier sheet (②) first, as shown in the illustration.
- The corner of the thinner part of the passport should be inserted into the corner of the carrier sheet.

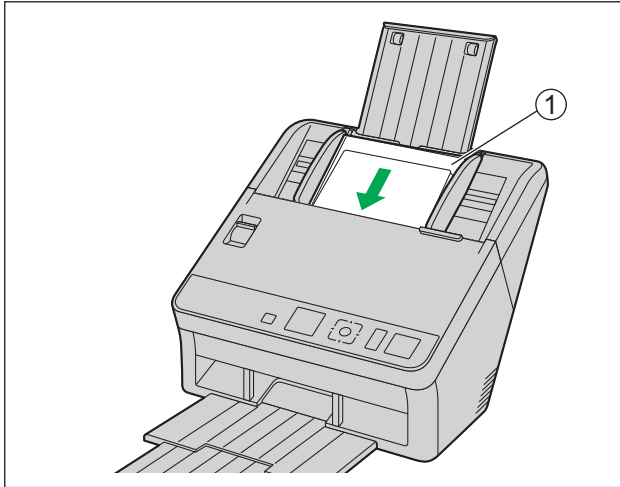


3. Place the carrier sheet (①) on the feed tray with the surface to be scanned facing down.

- Adjust the document guides (②) to the size of the carrier sheet to be scanned.



4. Insert the carrier sheet (①) until it stops as shown in the illustration.



Note

- When manual scanning (Manual) is selected, make sure to insert the documents until they come into contact with the paper feed roller.

5. Start scanning.

Note

- If the rollers are dirty, the scanned image will be stretched or distorted. In such cases, clean the rollers.
- If vertical streaks appear on the scanned image, clean the scanning glasses and the carrier sheet. Vertical streaks that appear may be caused by scratches on the carrier sheet. If vertical streaks appear after cleaning the scanning glasses and the carrier sheet, flip over the carrier sheet to the other side, or replace the carrier sheet, and then scan the documents.

Incompatible Documents

The following types of documents may not scan properly:

- Torn or frayed documents
- Curled, wrinkled or folded documents
- Carbon paper
- Perforated or punched paper
- Non-rectangular or irregularly shaped paper
- Coated paper
- Bound or glued documents
- Chemical paper such as carbonless copy paper
If papers like this are scanned, the rollers will need to be cleaned frequently and the lifetime of the rollers may be shortened.
- Paper with wood content
- Photographs
Photographs may be scratched or damaged.
- Extremely smooth, shiny paper, or paper that is highly textured

Notice

- Paper with a glossy surface such as coated paper or photographs that are susceptible to damage such as scratching.
- Scanning the following kinds of documents may contaminate the inside of the scanner or adversely influence the lifetime of the rollers. When scanning the following kinds of documents, clean the inside of the scanner frequently.
 - Documents with toner or graphite (pencil) powder
 - Documents treated chemically or containing impurities

Do not scan the following types of paper:

- Documents out of specified size, thickness, and weight
- Thermal or photosensitive paper
- Cloths or metallic sheets
- Transparent or partially transparent documents such as OHP sheet, tracing paper, plastic film, etc.
- Documents containing hard attachments such as metal or plastic (ex. clips or staples)
- Document with wet ink or cinnabar seal ink
- Damaged or notched documents or cards

Notes about Documents for Scanning

- Depending on the paper type, scanning results may be poor when you scan incompatible documents, or even documents that should be compatible.
If scanned images are skewed, paper jams occur, or double feeding occurs, try scanning again after doing the following:
 - Clean the inside of the scanner (page 51)
 - Reduce the number of sheets of paper loaded on the feed tray.
 - Change the orientation of documents placed in portrait orientation to landscape orientation, or vice versa.
 - In the scan settings, set "Feeding Speed" to [Slow].^{*1}
 - Scan the documents using manual scanning.

^{*1} For details about configuring the scan settings, refer to the Image Capture Plus, TWAIN, or ISIS help.

Notes about Double Feed Detection

This unit uses an ultrasonic sensor to detect double feeding (where two or more sheets of a document are fed at the same time).

- Double feeding cannot be detected with unsupported paper types.
- Even with supported types of cards, scanning them in portrait orientation may result in the detection of a double feed. In this case, try scanning them in landscape orientation, or disable the double feed detection.
- Documents must be 70 mm (2.8 in.) or longer for double feed detection to function.

Switching the Background Color of Scanned Images

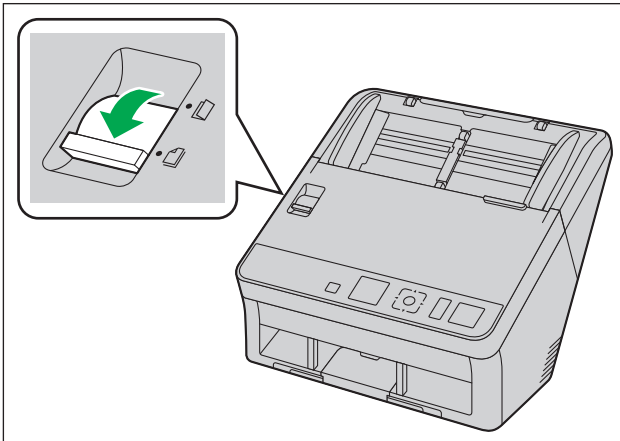
Using the software, you can switch the background color of scanned images between white and black. For details, refer to the Image Capture Plus, TWAIN, or ISIS help.

Continuous Scanning (Auto) and Manual Scanning (Manual)

You can select either continuous scanning (Auto) or manual scanning (Manual) by using the manual feed selector. Bound documents can be scanned by setting the manual feed selector to manual scanning (Manual).

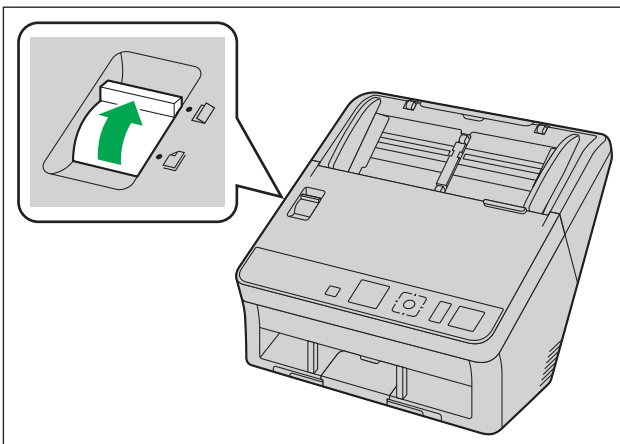
Continuous scanning (Auto)

This setting is for feeding documents one page at a time automatically.



Manual scanning (Manual)

This setting is for feeding bound and other documents manually without separating them.



Notice

- When scanning important documents or bound documents, feed them manually.

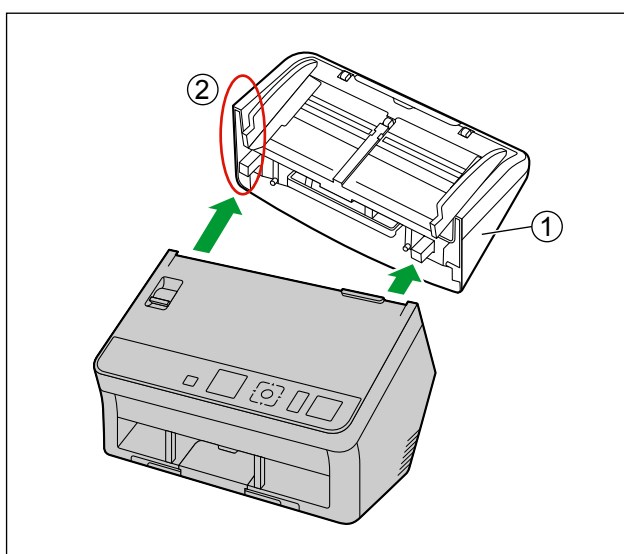
Mixed Batch Card Guide

No adjustment to the document guide is required when using the mixed batch card guide. The mixed batch card guide prevents a card from skewing when scanning paper documents and a card simultaneously.

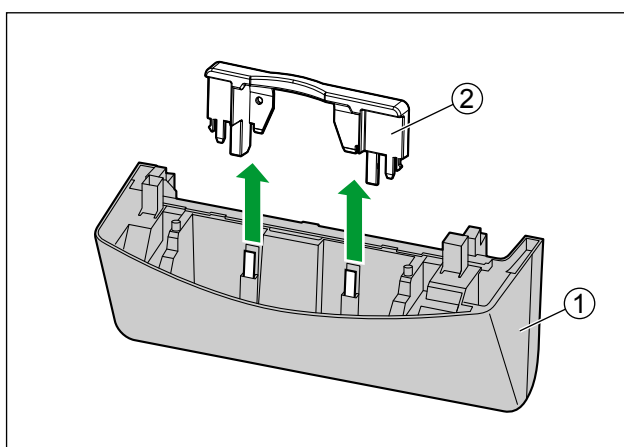
Installing the mixed batch card guide

The mixed batch card guide is stored inside the feed tray. Install the mixed batch card guide as shown in the following illustration.

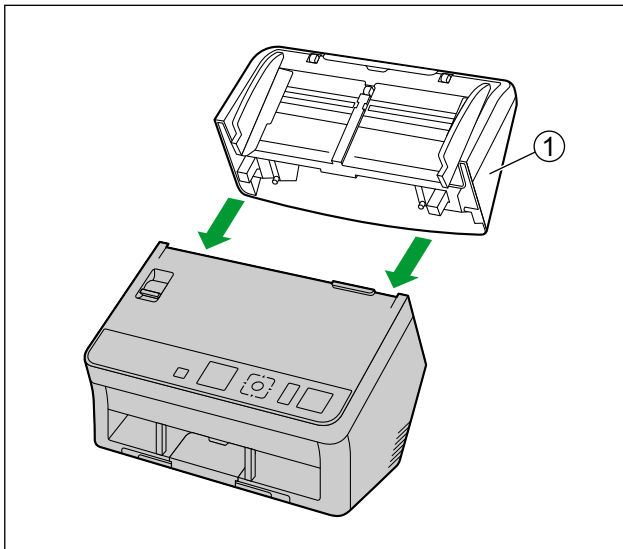
1. Remove the feed tray (①) from the unit.
 - Remove the left side of the feed tray (②) first as shown in the illustration.



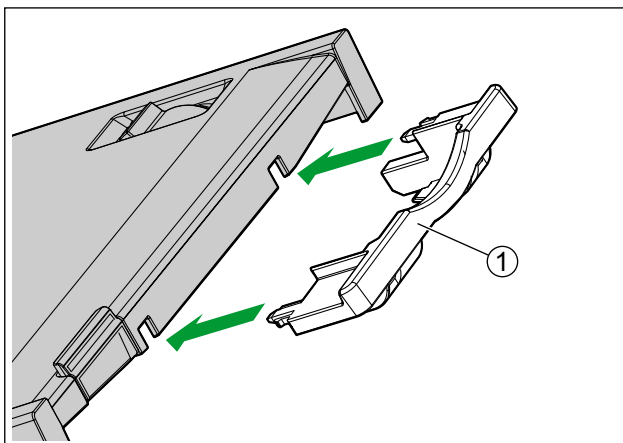
2. Pull out the mixed batch card guide (2) from the feed tray (1).



3. Attach the feed tray (①) to the unit.



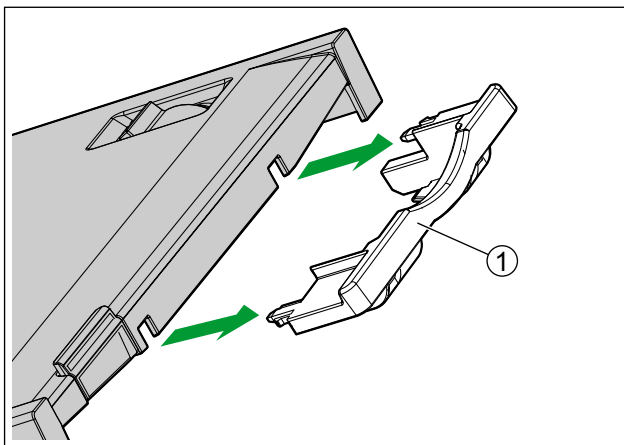
4. Attach the mixed batch card guide (①) to the unit.



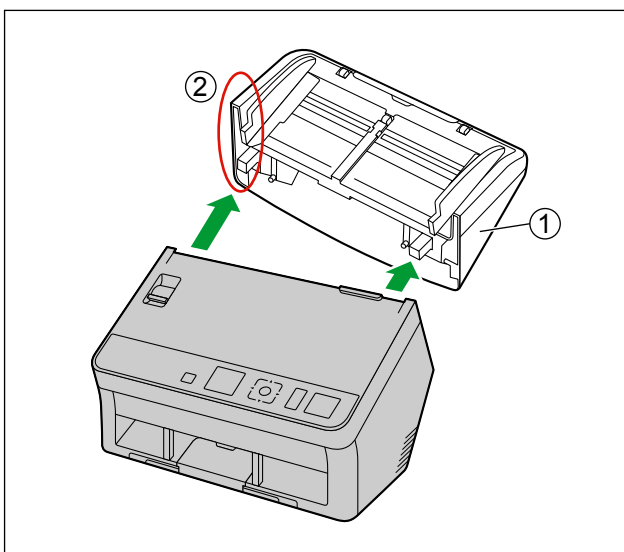
Removing the mixed batch card guide

Remove the mixed batch card guide as shown in the following illustration.

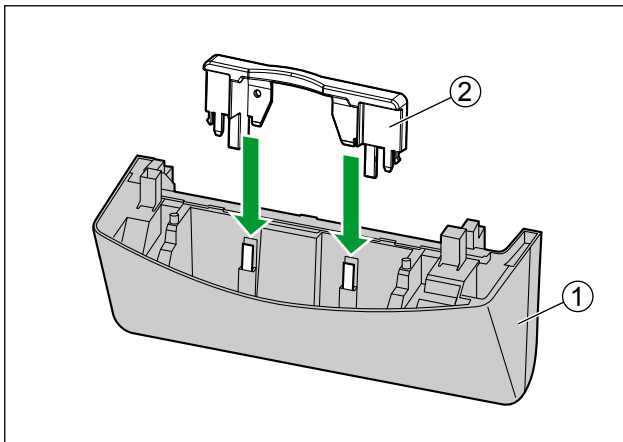
1. Remove the mixed batch card guide (①) from the unit.



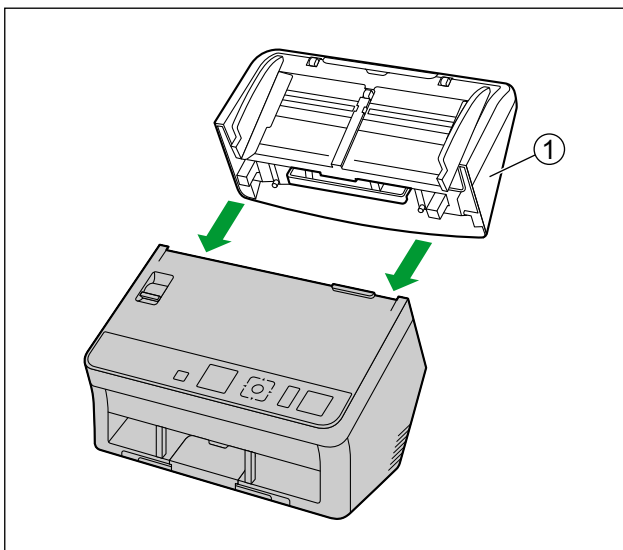
2. Remove the feed tray (①) from the unit.
 - Remove the left side of the feed tray (②) first as shown in the illustration.



3. Attach the mixed batch card guide (②) to the feed tray (①).



4. Attach the feed tray (①) to the unit.



Using the Mixed Batch Card Guide

Set paper documents on the feed tray, and a card on the mixed batch card guide respectively.

- The card set on the mixed batch card guide is fed after completing the paper document scanning.
- The mixed batch card guide is suitable for the following card type.

ISO format card:

Size: 85.6 × 54 mm (3.4 × 2.1 in.)

Thickness: 0.76 mm (0.03 in.)

Embossed card is also available.

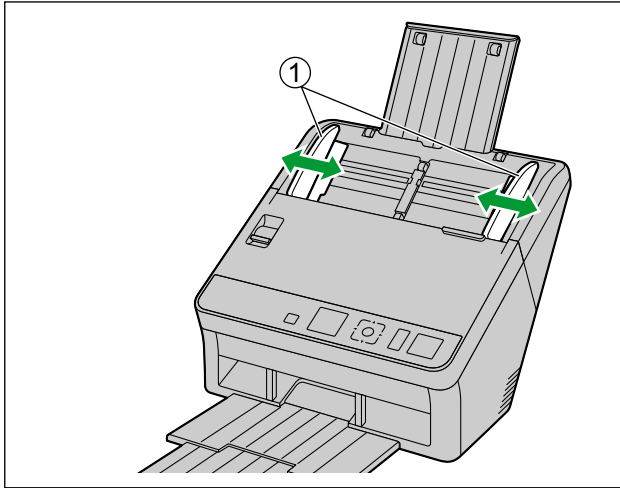
- Set the card in landscape orientation.
- A maximum of 3 cards can be set in the mixed batch card guide.
- Ensure that the embossed portions of cards do not stick together.
- If acceptable results cannot be obtained, try changing the scanning orientation or reversing the scan face of the card, and then perform scanning again.

Note

- When using the mixed batch card guide, the document guides cannot be adjusted to less than A5 size.
- Make sure that the total height of the paper on the feed tray does not exceed 2 mm (0.08 in.). (This is equivalent to about 20 sheets at 80 g/m² [21 lb.])

Scanning Documents

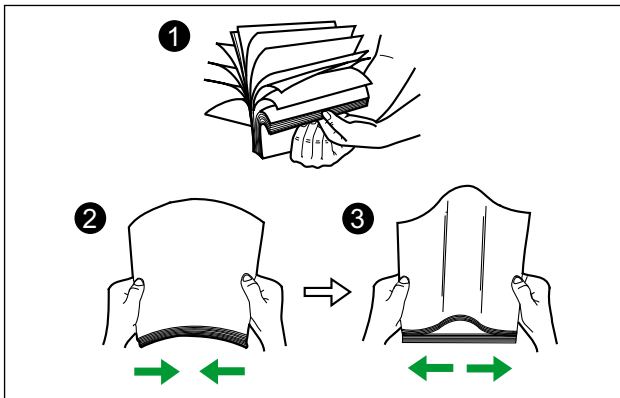
1. Adjust the document guides (①) slightly larger than the actual size of the documents.



2. Fan the documents.

- Documents that have been stapled together or stacked together (as in a file folder) will need to be separated.

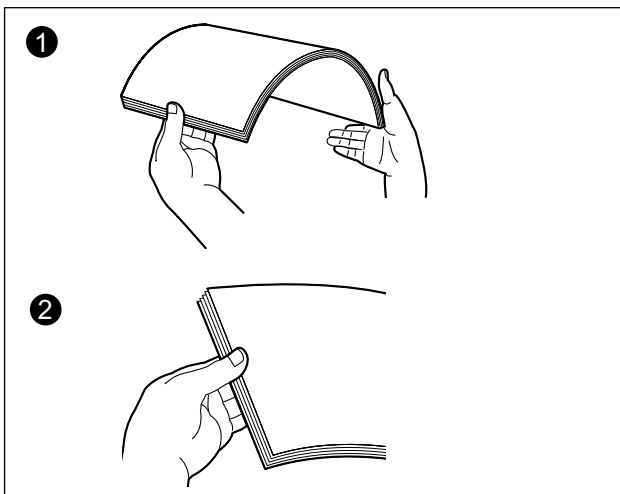
- 1 Fan the stack of documents to separate all the edges.
- 2 Hold both ends and bend the documents as shown in the illustration.
- 3 To flatten the documents, hold firmly and pull them apart as shown in the illustration.



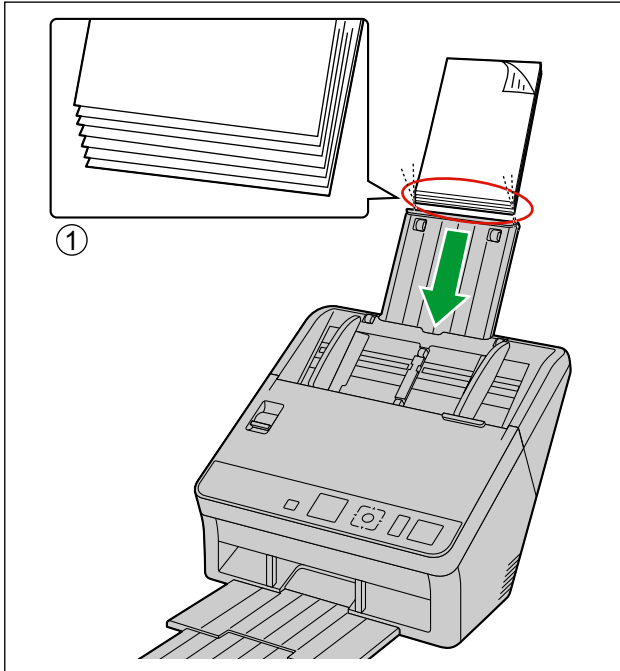
Repeat these steps as necessary.

3. Carefully align the documents.


- The documents feed better when the leading edges are aligned slantwise as shown in the illustration.



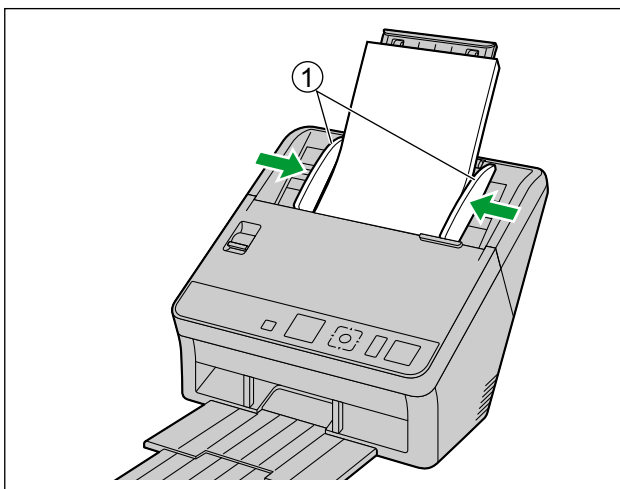
- Place the documents on the feed tray with the side to be scanned facing down.
 - Set the leading edge of documents as shown in the illustration (①).
 - Insert the documents slowly until they stop.



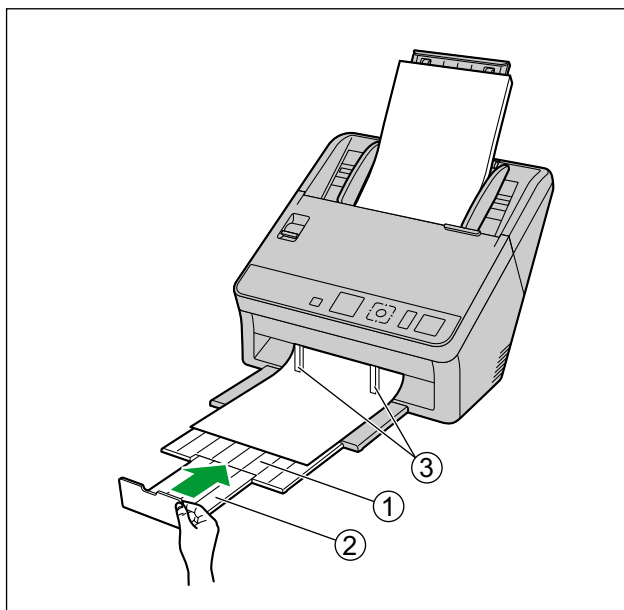
Note

- The height of the documents should not exceed the limit mark () on the document guide. Exceeding the limit mark may cause a paper jam or skewing.

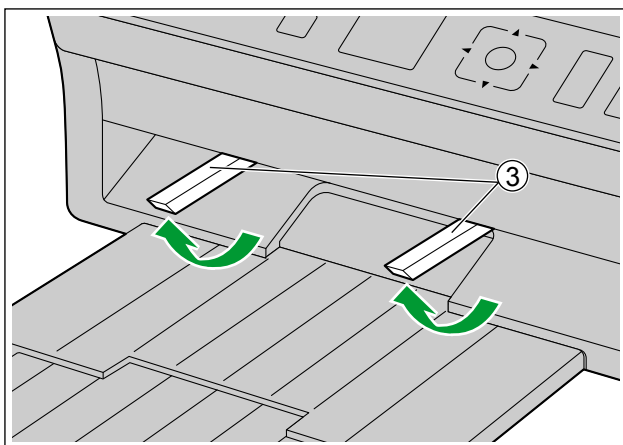
- Adjust the document guides (①) to the size of the documents to be scanned.



6. Hold the exit stopper and adjust the exit extension trays (①, ②) to match the size of the scanned documents.

**Note**

- When the documents are curled or a paper jam occurs, fold up the exit guides (③) and then resume scanning.



7. Open your scanning application and scan the documents.
 - For details about the application, refer to the help of each application.
 - You can also start up applications automatically to scan documents (push scan). For details about push scan settings, see "Performing a push scan" (page 42).

Performing a push scan


The following push scan functions are available for each scanner as shown below:

	KV-S1057C KV-S1027C	KV-SL1066 KV-SL1056 KV-SL1055 KV-SL1036 KV-SL1035
Touch Free Scanning	Yes	Yes
Push scan using the LCD	Yes	No
Push scan using the 7-segment LED	No	Yes

Touch Free Scanning

Setting the application to start up

Set whether an application will automatically start up and select under which conditions it will start up in the Scan Button Setting Tool.

1. Double click the  icon in the notification area of the task bar to open the Scan Button Setting Tool.
 - In Windows 8, open the Scan Button Setting Tool on the Desktop screen.
2. Select Touch Free Scanning for the condition to automatically start up the application.
3. Select the application to start up.

Note

- For details about the Scan Button Setting Tool, refer to the Scan Button Setting Tool help.

Setting the scanning conditions

Scanning conditions are set on the setting screen of each application. For details about the setting screen of each application, refer to the manual or help for that application.

Note

- Press and hold the OK button for more than 2 seconds to open the application setting screen. (KV-S1057C and KV-S1027C only)
- Press and hold the Start/Stop button for more than 2 seconds to open the application setting screen. (KV-SL1066, KV-SL1056, KV-SL1055, KV-SL1036 and KV-SL1035 only)

Performing Touch Free Scanning

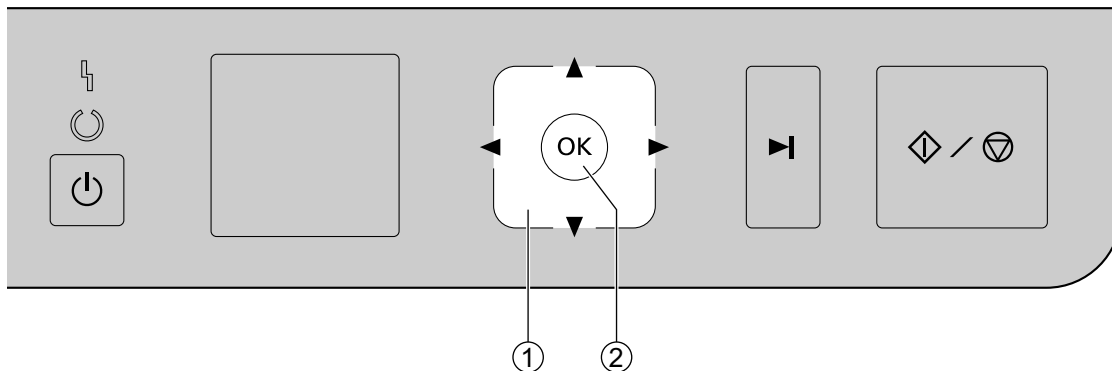
1. Place the documents on the feed tray.
 - Scanning will start.

Push scan using the LCD

If you are using a KV-S1057C or KV-S1027C with Image Capture Plus, you can perform a push scan using the LCD. Registered jobs are displayed on the LCD. Use the cursor button (①) to select a job.

Note

- Register jobs in advance. For details about registering jobs, refer to the Image Capture Plus help.
- The group name is displayed on the first line, and the job name is displayed on the second line of the LCD.



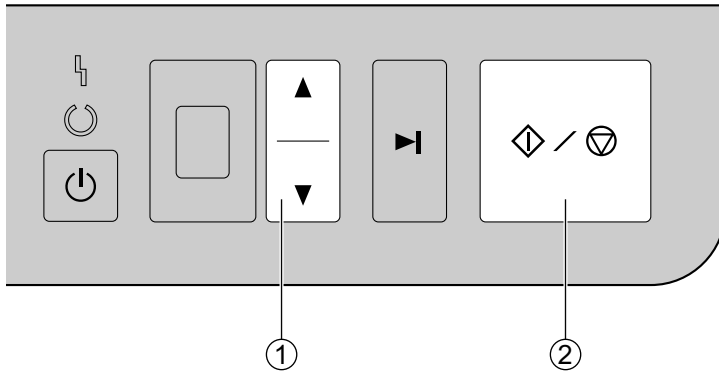
1. Place the documents on the feed tray.
2. Use ◀ or ▶ of the cursor button (①) to select a group.
3. Use ▲ or ▼ of the cursor button (①) to select a job.
4. Press the OK button (②).
 - Scanning will start.

Push scan using the 7-segment LED

If you are using a KV-SL1066, KV-SL1056, KV-SL1055, KV-SL1036 or KV-SL1035 with Image Capture Plus, you can perform a push scan using the 7-segment LED. A registered job number is displayed on the 7-segment LED. Use the cursor button (①) to select a job number.

Note

- Register jobs in advance. For details about registering jobs, refer to the Image Capture Plus help.



1. Place the documents on the feed tray.
2. Use ▲ or ▼ of the cursor button (①) to select a job number.
3. Press the Start/Stop button (②).
 - Scanning will start.

Checking events

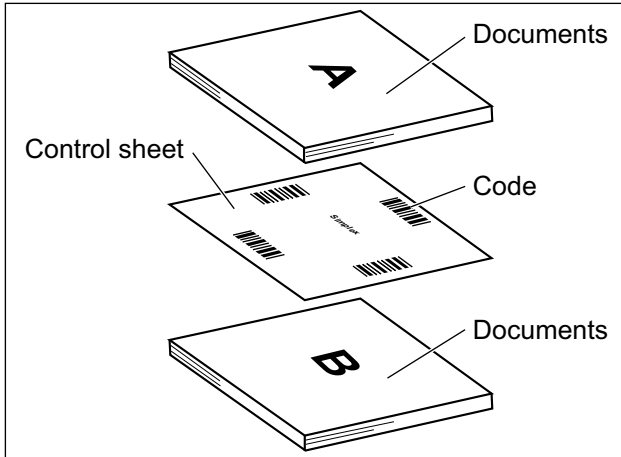
Check the following if an application does not start up after being set.

1. Display the Scan properties screen.
 - If you are using Windows 8 / Windows 7:
[Control Panel] → [View devices and printers], right-click the scanner icon, and display the [Scan properties] screen.
 - If you are using Windows Vista:
[Control Panel] → [Scanners and Cameras], select the scanner icon, and then click the Properties button.
 - If you are using Windows XP:
[Control Panel] → [Scanners and Cameras], right-click the scanner icon, and display the Properties screen.
2. Click the [Events] tab.
3. Check that Scan Button Setting Tool is selected as the program to start for each event.
 - If an application other than Scan Button Setting Tool is selected, change the application to Scan Button Setting Tool.
4. Click [OK].
5. Restart the computer.

Using Control Sheets

Placing a control sheet in the middle of documents lets you change the scanning conditions for pages scanned after the control sheet. Also, you can change the folder used to save the scan data of documents scanned after the control sheet.

- Print out control sheets from the included CD-ROM.



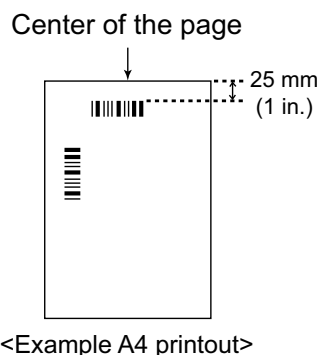
Control sheet functions

Simplex, Duplex, Binary, 256 level gray, Color, Dynamic Threshold, Dither, Error diffusion, Separation Sheet

- For details about control sheets, refer to "Detect Control Sheet" in the Image Capture Plus, TWAIN, or ISIS help.
- For details about separation sheets, refer to "Detect Separation Sheet" in the Image Capture Plus, TWAIN, or ISIS help.

About Printing Control Sheets

- Print the control sheet at the specified size; do not enlarge or reduce the size.
- When printing the control sheet, make sure that the pattern is 25 mm (1 in.) from the top of the page and centered horizontally.



- Use the control sheet that is the same size as the document you are scanning.
- Be careful not to get the control sheet dirty. Do not fold or crease the control sheet. Scanning will not be performed properly.
- For details about control sheets, refer to "Detect Control Sheet" in the Image Capture Plus, TWAIN, or ISIS help.

Printing control sheets

Note

- In order to print control sheets, Adobe® Reader® must be installed on your computer.
 - Refer to the instruction manual for your printer for details about changing print settings.
1. Insert the included CD-ROM into the CD/DVD drive on your computer.
 - If you have a feature called "Autorun" activated, the installation process will start automatically.
 - The setup window will appear.

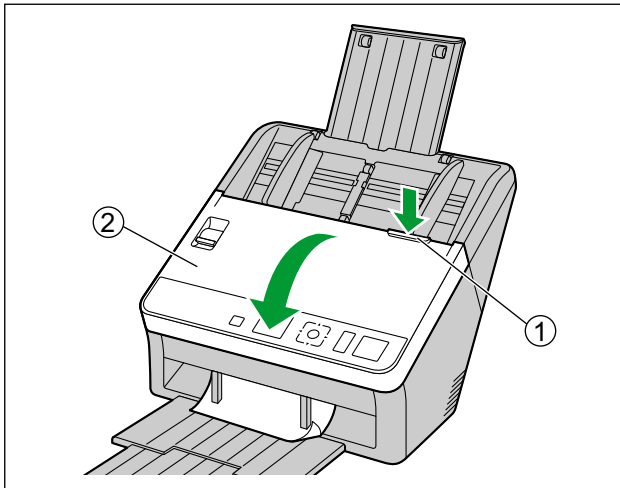
Note

- If the AutoPlay dialog box is displayed, select [CDRun.exe].
 - If the setup window does not appear, double-click [CDRun.exe] in the Software / Manual CD-ROM.
2. Select [Control Sheet] from "Documents" on the right side of the screen.
 3. Print the control sheets at the same size as your document.

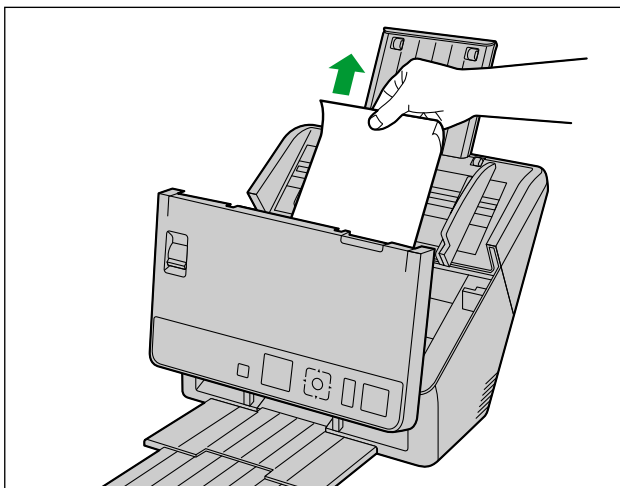
Clearing Paper Jams

Torn paper, thin paper or paper that is creased on the top edge may cause paper jams. If a paper jam occurs, remove the jammed sheet according to the following procedure.

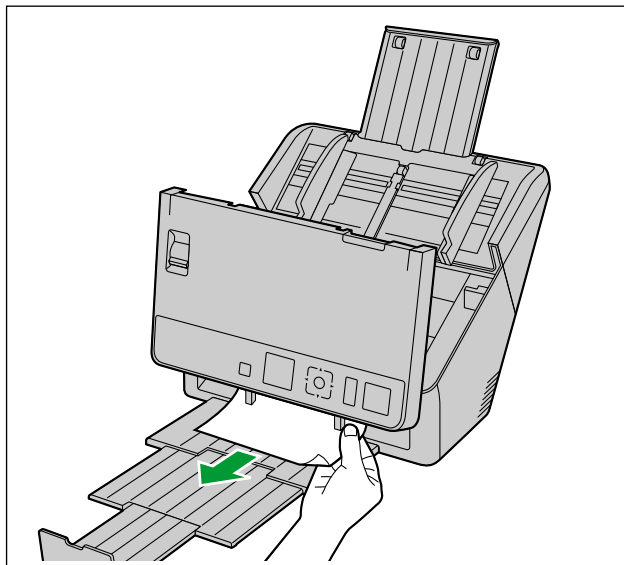
1. Remove all documents from the feed tray.
2. Press the ADF door release (①), and open the ADF door (②).



3. Remove the jammed document.
 - If the document is jammed in the feed tray area, pull it backwards as shown in the illustration.

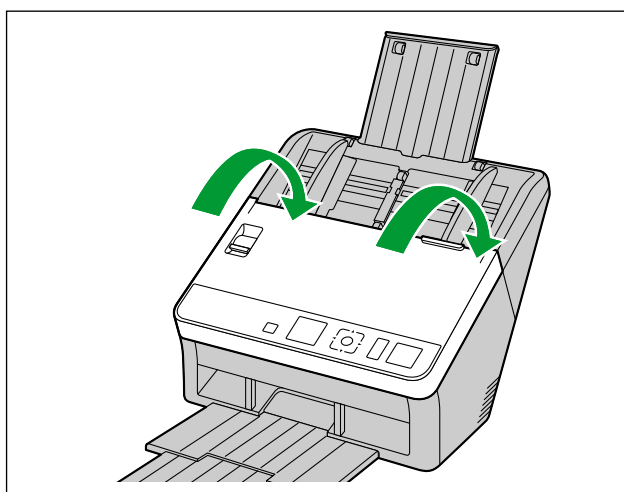


- If the document is jammed in the exit area, pull it forward as shown in the illustration.



4. Close the ADF door.

- Push both sides of the ADF door down slowly until it clicks into place.



Notice

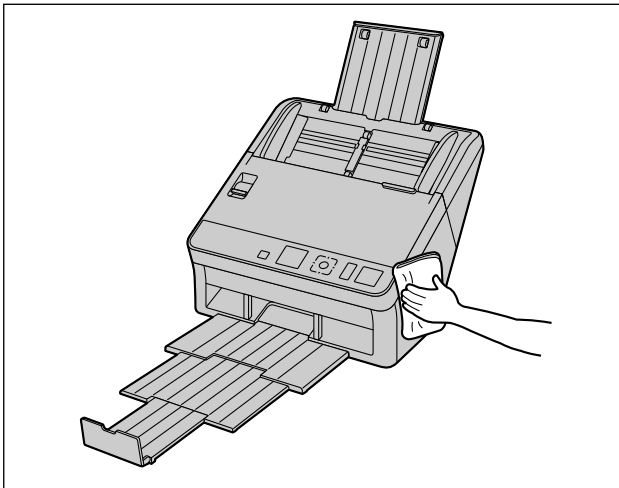
- Close the ADF door after confirming that no documents remain inside the unit.

Cleaning the Outside of the Scanner

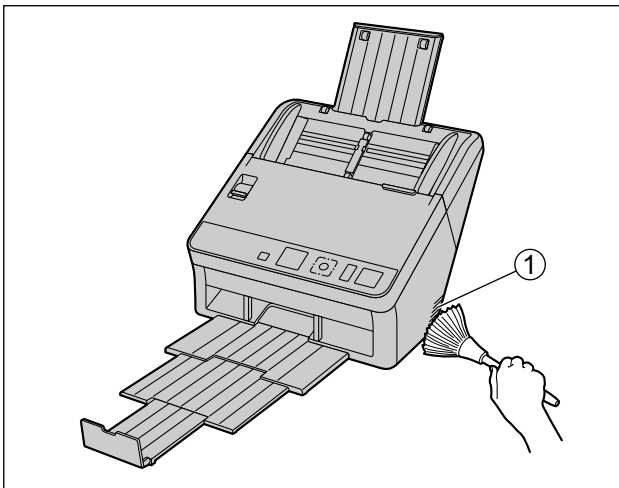
Notice

- Before moving the unit, be sure to unplug the power cord and USB cable.
- Do not use commercially available cleaners, detergent, thinner, or benzine. (Doing so may cause deformation, discoloration or damage.)
- Clean the scanner at least once a month.

1. Clean the outside of the scanner with a soft, slightly damp cloth.



2. Remove dirt and dust from the fan exhaust vent (①) with a brush.



Cleaning the Inside of the Scanner

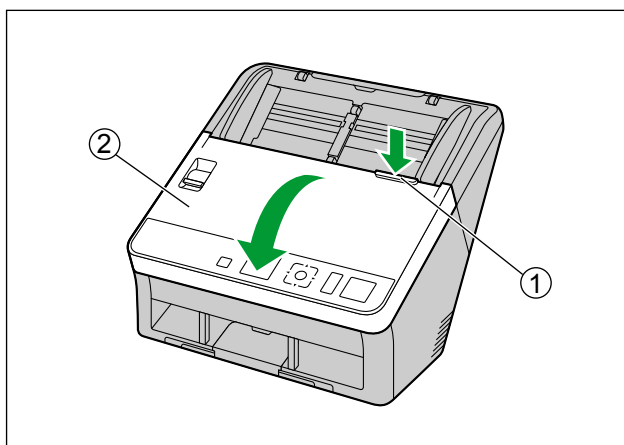
Note

- Clean the inside of the scanner when approximately 6,000 sheets have been scanned. The time for cleaning may differ depending on documents you scan. To maintain proper scanning, clean the scanner parts frequently.
- Clean the rollers if paper jamming or double feeding occurs frequently.
- If double feed detection does not function properly, clean the double feed detectors.
- Clean the scanning glasses when vertical streaks appear on the scanned images.
- Be careful not to damage any parts of the unit.

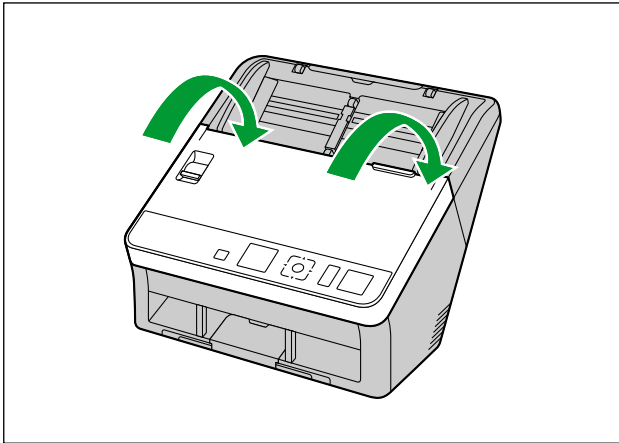
1. Prepare the following cleaning supplies.

Soft and dry cloth	Used to clean the conveyor and scanning glasses.
Thin cotton swab	Used to clean the double feed detectors and the starting sensors.
Roller cleaning paper (KV-SS03)	Used to clean the rollers. Use of the roller cleaning paper is recommended. If you do not have the roller cleaning paper, use a soft cloth with a small amount of isopropyl alcohol or water. Do not use commercially available cleaners, detergent, thinner, or benzine. (Doing so may cause deformation, discoloration or damage.)

2. Press the ADF door release (①), and open the ADF door (②).



3. Clean the conveyor, scanning glasses, double feed detectors, starting sensors and rollers.
 - Clean the parts in the following order: conveyor and scanning glasses, double feed detectors and starting sensors, rollers.
 - For details about cleaning, refer to the following:
 - "Cleaning the Conveyor and Scanning Glasses" (page 53)
 - "Cleaning the Double Feed Detectors and Starting Sensors" (page 54)
 - "Cleaning the Rollers" (page 55)
4. Close the ADF door.
 - After cleaning, push both sides of the ADF door down slowly until it clicks into place.

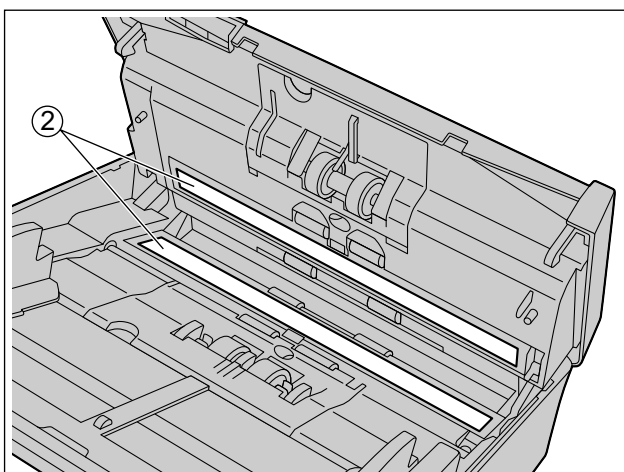
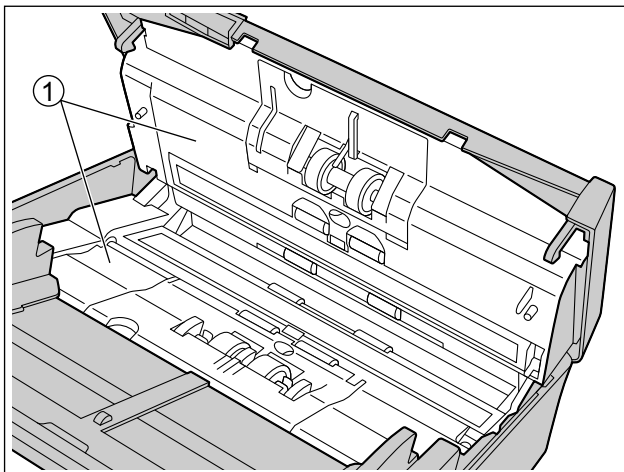


Notice

- If roller cleaning notifications via the After Clean Roller Counter are enabled, reset the After Clean Roller Counter in User Utility to 0. For details, refer to the User Utility help.

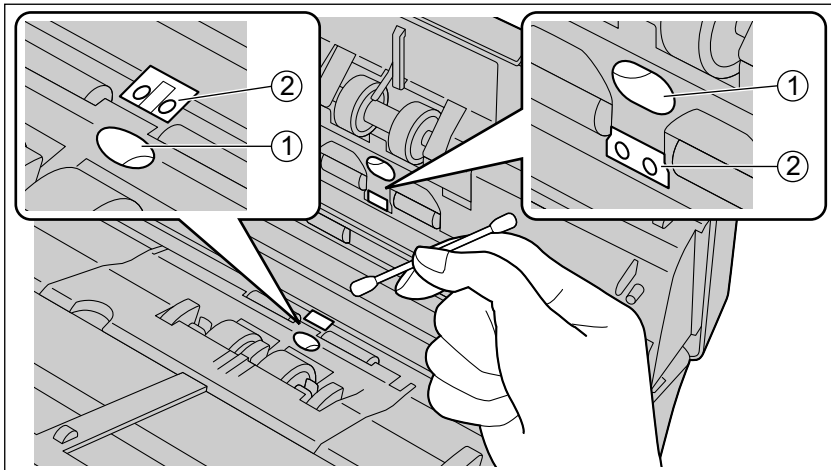
Cleaning the Conveyor and Scanning Glasses

1. With a soft and dry cloth, wipe off any dirt on the conveyor (①) and scanning glasses (②).



Cleaning the Double Feed Detectors and Starting Sensors

1. Remove dust from the double feed detectors (①) and starting sensors (②) with a cotton swab.



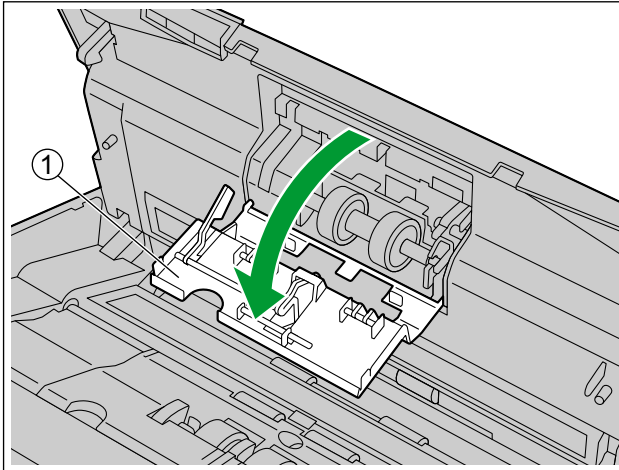
Cleaning the Rollers

Use the roller cleaning paper (KV-SS03) (page 10) to wipe dirt off from the surfaces of all rollers.

Notice

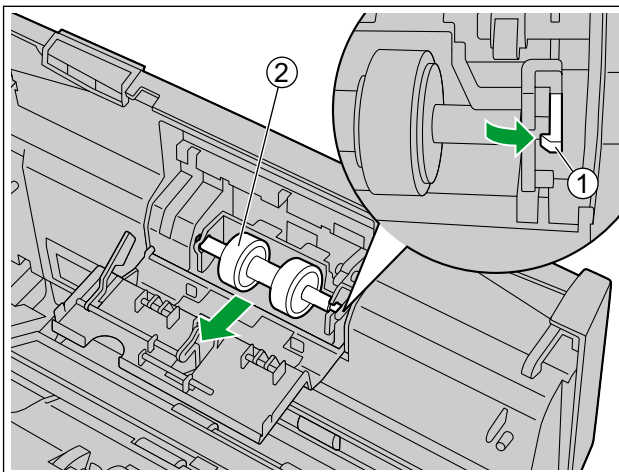
- Be careful not to damage any parts of the unit.

1. Open the double feed prevention roller cover (①).

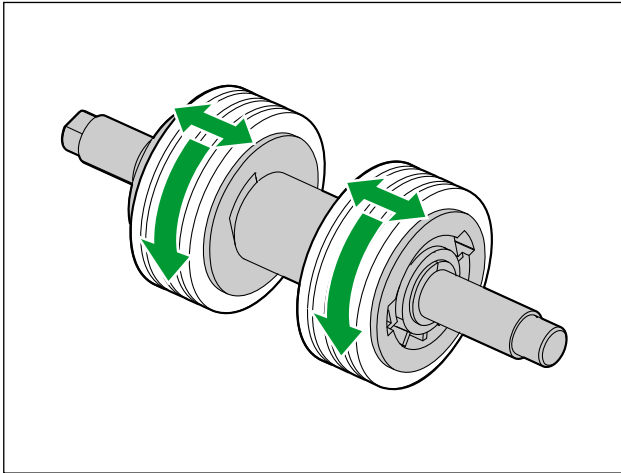


2. Remove the double feed prevention roller.

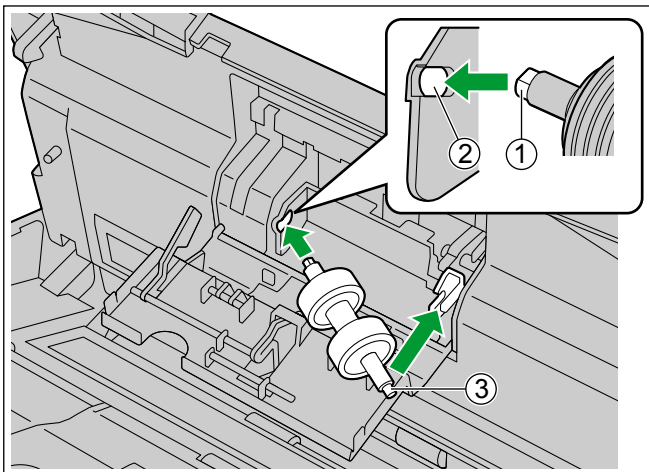
- While pushing the latch (①) to the right side as the direction indicated by the arrow, remove the double feed prevention roller (②) in the direction of the arrow. Then, pull out the left shaft (when facing it) from the notch in the roller mount.



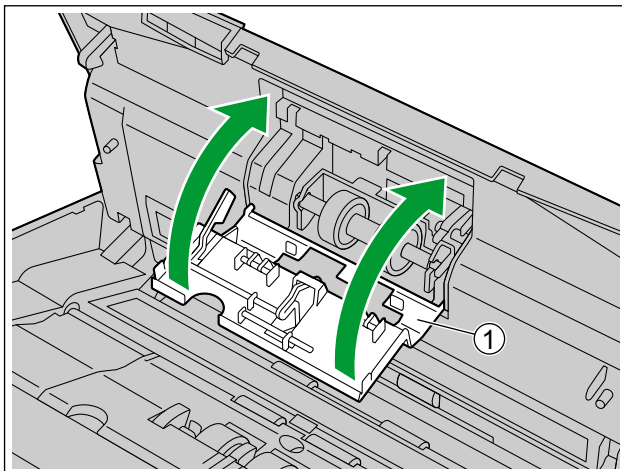
3. Use the roller cleaning paper to clean the surface of the double feed prevention roller.
 - Wipe the entire surface of both rollers.



4. Install the double feed prevention roller.
 - Align the shaft that is shaped as indicated by ① with the notch in the roller mount (②), and then insert the shaft in the notch. Push the shaft on the opposite side (③) until it clicks into place.



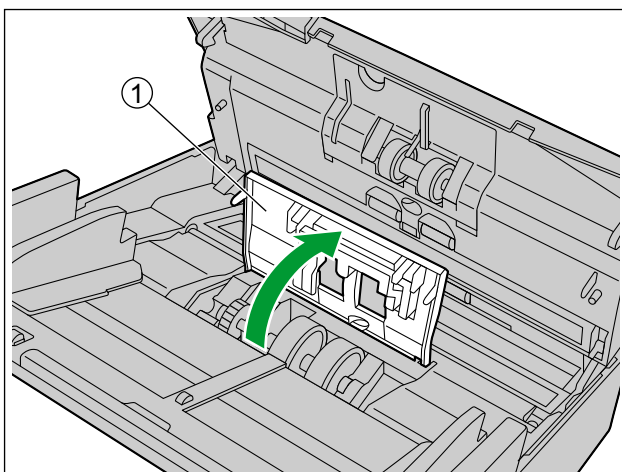
5. Close the double feed prevention roller cover (①) firmly.



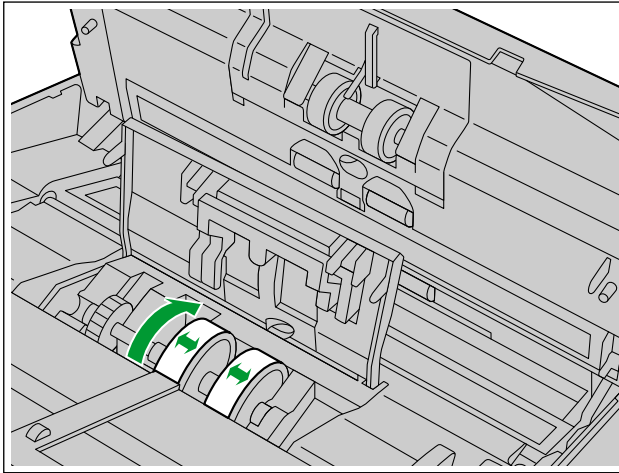
Notice

- Be sure to close the double feed prevention roller cover until it clicks into place.

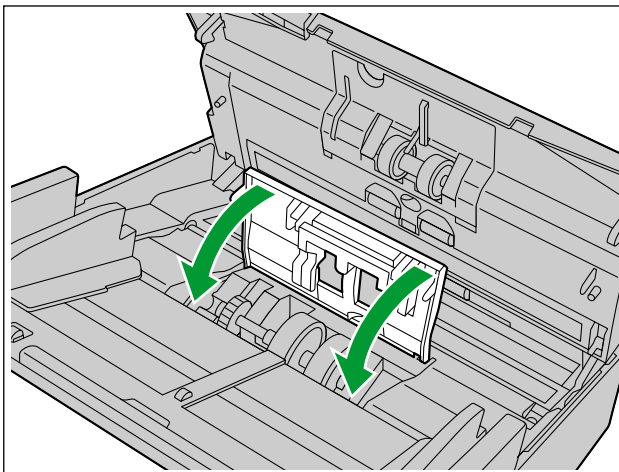
6. Open the paper feed roller cover (①).



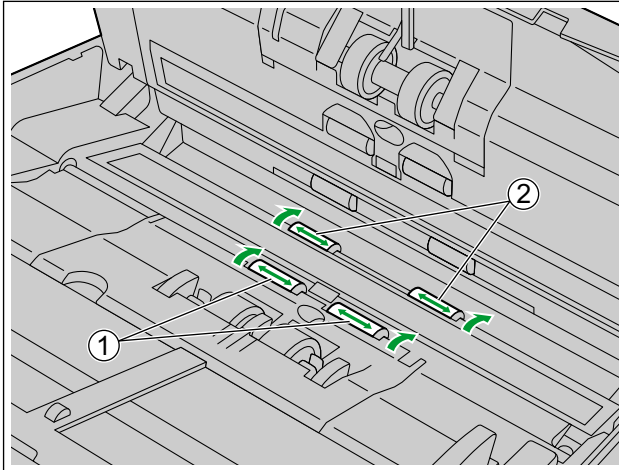
7. Use the roller cleaning paper to clean the paper feed roller.
 - Wipe the rollers from one end to the other (in the direction of the arrow) all the way around them, as shown in the illustration.



8. Close the paper feed roller cover firmly.
 - Make sure to close both sides of the paper feed roller cover until they click into place.



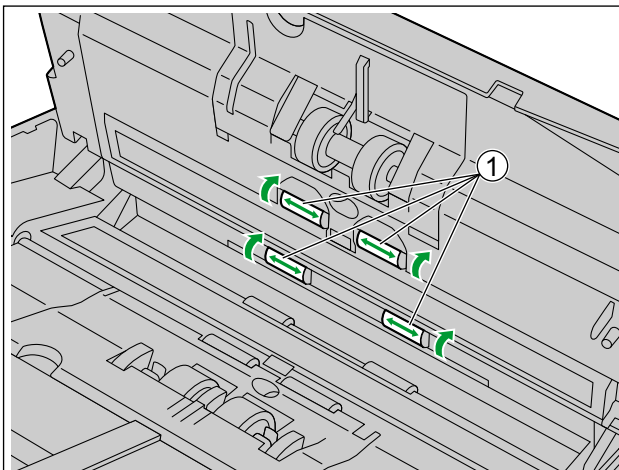
9. Use the roller cleaning paper to clean the surface of the conveyor rollers (①) and exit rollers (②).
- Wipe the rollers from one end to the other (in the direction of the arrow) all the way around them, as shown in the illustration.
 - Cleaning Mode can be used to help cleaning the conveyor rollers and the exit rollers. Cleaning Mode can be set in User Utility. During Cleaning Mode, the conveyor rollers and the exit rollers rotate a small amount every time the Start/Stop button on the scanner is pressed.



Note

- Do not touch the rollers while they are rotating.
- Use Cleaning Mode only for cleaning the conveyor rollers and exit rollers.

10. Use the roller cleaning paper to clean the surface of the free rollers (①).
- Wipe the rollers from one end to the other (in the direction of the arrow) all the way around them, as shown in the illustration. Use your finger to rotate the roller and wipe dirt off of the entire surface of the roller.



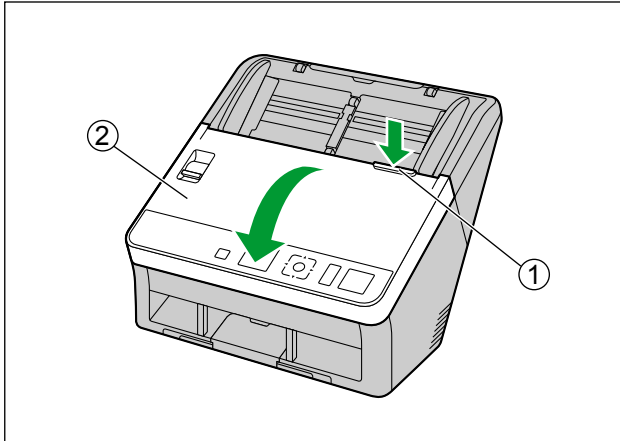
Note

- If misfeeding or double feeding occurs after cleaning or replacing the rollers, the rollers may not be installed properly. Confirm the installation conditions again.

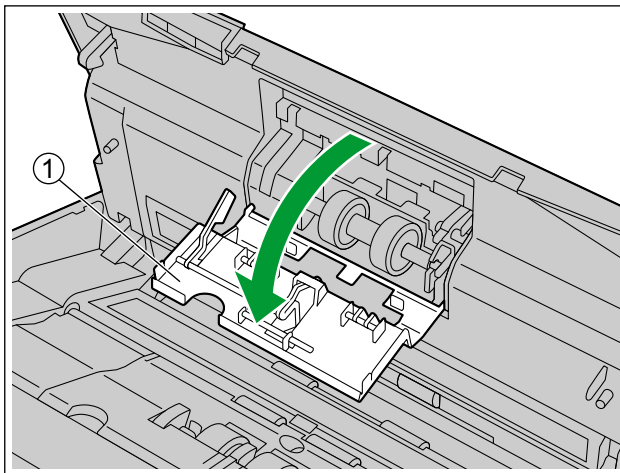
Replacing the Rollers

As a rough guideline, we recommend to replace the paper feed roller and double feed prevention roller module after scanning 250,000 sheets of paper. ("250,000 sheets" is based on scanning high-quality woodfree paper. Depending on the type of paper and other factors, the actual lifetime for the rollers will differ.) In User Utility, you can check the number of sheets that have been scanned.

1. Press the ADF door release (①), and open the ADF door (②).

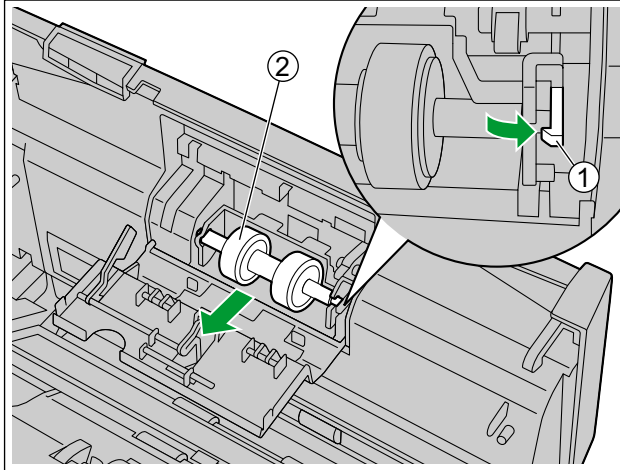


2. Open the double feed prevention roller cover (①).



3. Remove the double feed prevention roller.

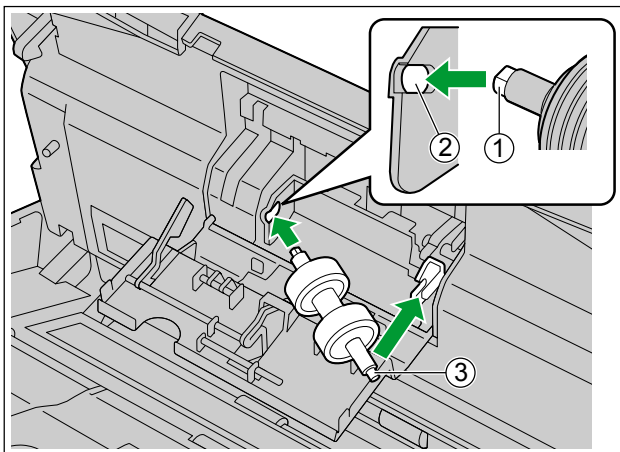
- While pushing the latch (①) to the right side as the direction indicated by the arrow, remove the double feed prevention roller (②) in the direction of the arrow. Then, pull out the left shaft (when facing it) from the notch in the roller mount.



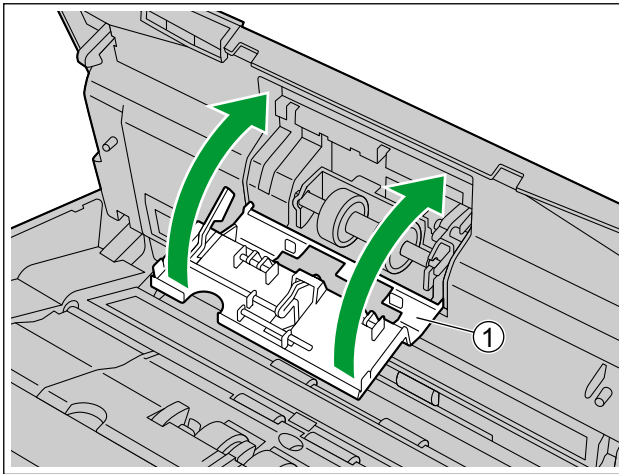
4. Take out the new double feed prevention roller module in the optional roller exchange kit.

5. Install the double feed prevention roller.

- Align the shaft that is shaped as indicated by ① with the notch in the roller mount (②), and then insert the shaft in the notch. Push the shaft on the opposite side (③) until it clicks into place.



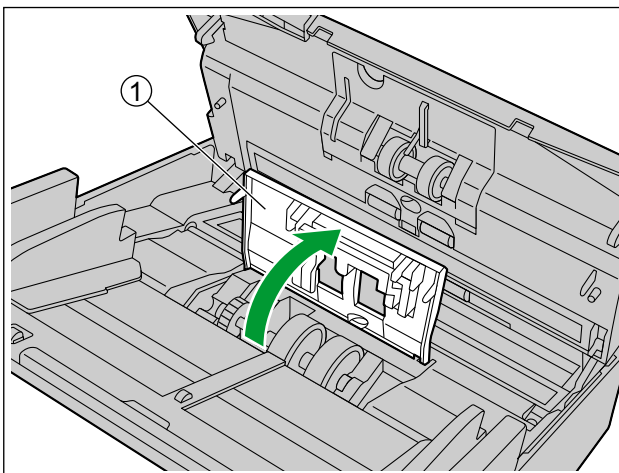
6. Close the double feed prevention roller cover (①) firmly.



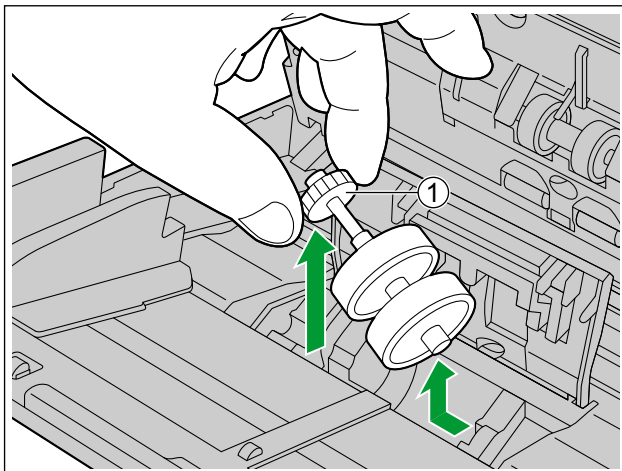
Notice

- Be sure to close the double feed prevention roller cover until it clicks into place.

7. Open the paper feed roller cover (①).

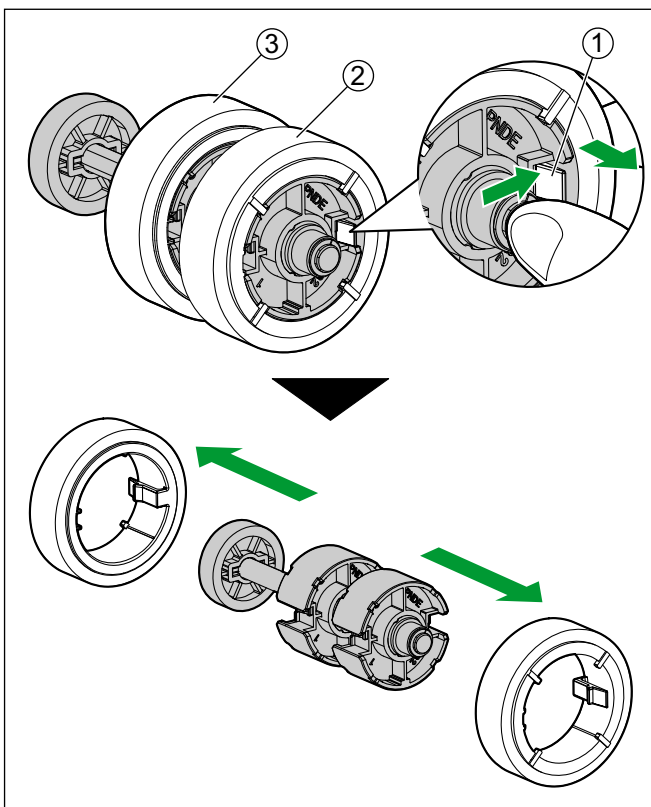


8. Lift up the gear (①) on the left side of the paper feed roller, and then remove the paper feed roller.



9. Remove the rubber rollers from the paper feed roller shaft.

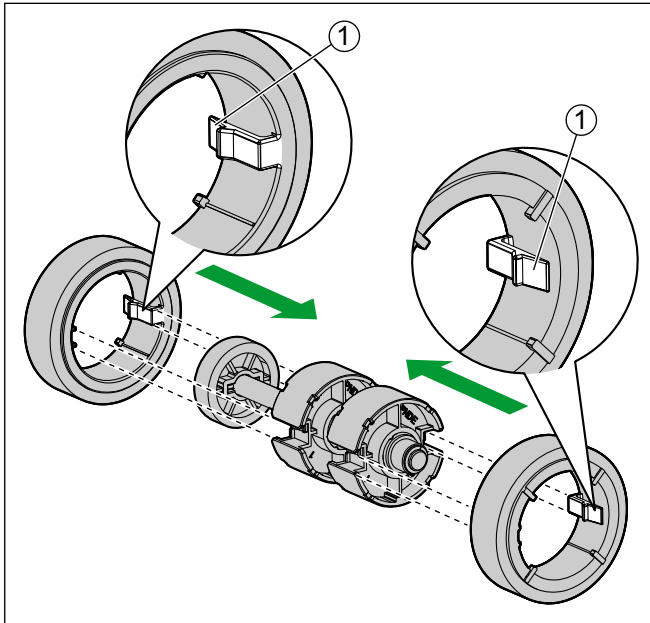
- Push the tab (①) to remove the rubber roller (②) from the paper feed roller shaft. Remove the other rubber roller (③) in the same way.



10. Take out the new paper feed roller in the optional roller exchange kit.

11. Install the two new rubber rollers onto the paper feed roller shaft.

- After confirming the tabs (①) of both rubber rollers are facing outwards, insert the rubber rollers onto the paper feed roller shaft until they click into place.

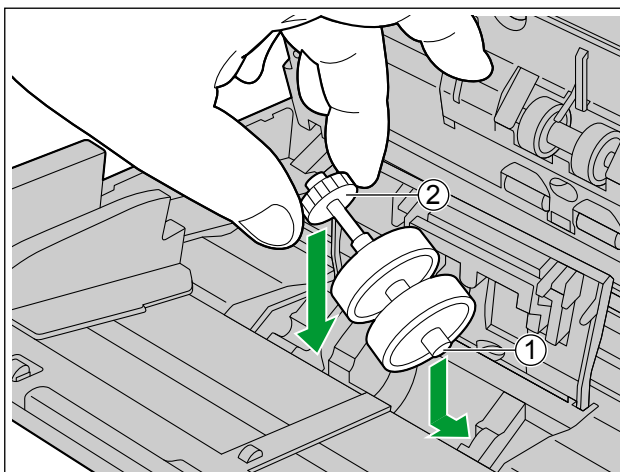


Notice

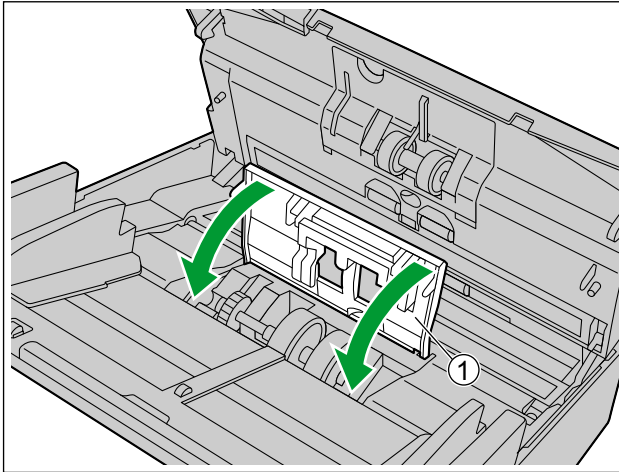
- Inserting a rubber roller with the tab facing inwards may damage the roller.

12. Install the paper feed roller with the new rubber rollers.

- Insert the short side of the paper feed roller shaft (①) to the roller mount, and then insert the gear (②) in the direction indicated by the arrow.



13. Close the paper feed roller cover (①) firmly.

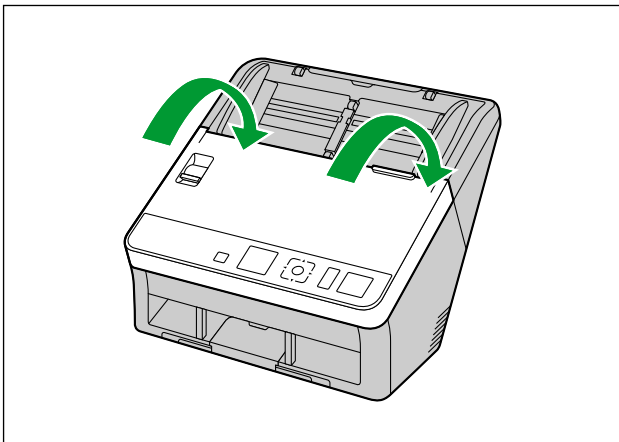


Notice

- Make sure to close both sides of the paper feed roller cover until they click into place.
- After installing the paper feed roller, confirm that the paper feed roller can rotate in the feeding direction.

14. Close the ADF door.

- Push both sides of the ADF door down slowly until it clicks into place.



15. Reset the After Replace Roller Counter in User Utility to 0.

- For details, refer to the User Utility help.

Note

- If misfeeding or double feeding occurs after cleaning or replacing the rollers, the rollers may not be installed properly. Confirm the installation conditions again.

Troubleshooting

If a problem occurs while the scanner is being used, check the following items and check the scanner status in User Utility. If the unit still malfunctions, turn it OFF, unplug the power cord and call for service.

Symptom	Possible Cause	Remedy
The LED (Green) does not light when the unit's power is turned ON.	The power cord is not plugged in.	Insert the power plug firmly.
The computer does not recognize the scanner. The scanner is not functioning correctly.	The scanner is not connected to the computer correctly.	Connect the USB cable correctly.
	The software is not installed correctly.	Uninstall the software from the computer (page 70), and then install the software again (page 18).
	The scanner is connected via USB hub.	Do not connect via USB hub.
	There is a problem with the USB cable.	Make sure to use the included USB cable.
	The unit's power was turned OFF because no operation was performed for a certain period of time.	Press the power button to turn ON the unit's power.
Scan speed is slow.	The scanner is connected over a USB 1.1 connection.	Connect over USB 2.0 / USB 3.0.
The document has been loaded on the feed tray, but the scanner does not start scanning.	The document is not loaded properly.	Load the document correctly. (page 38)
	The sensor cannot detect the document as the edge of the document is curled.	Flatten the document (page 24) and load it again (page 38).

Symptom	Possible Cause	Remedy
Double feeding occurs frequently.	The paper feed roller or double feed prevention roller have become worn down.	Replace the paper feed roller or double feed prevention roller. (page 60)
	The double feed detectors are dirty.	Clean the double feed detectors. (page 54)
	Right and left sides of the document to be scanned are not the same in height, because of curling or folding.	Flatten the document (page 24) and load it again after reducing the number of sheets.
	The document is printed on an unsupported type of paper or thick paper.	Make a copy of the document on paper of a compatible type and thickness (page 23), and then scan the copy.
	The length of the paper is too short.	Make a copy of the document on paper of a compatible size (page 23), and then scan the copy.
	The document is not aligned correctly.	Realign the document. (page 38)
	Too many sheets are set on the feed tray.	Remove sheets until the sheets on the feed tray are under the limit mark on the document guide.
The documents are not fed one at a time, but in bunches.	The scanning method is set to manual.	Select automatic scanning using the manual feed selector. (page 12)
A double feed is detected when scanning cards.	The cards are set in portrait orientation.	Either disable the double feed detection function or set the cards in landscape orientation.
Paper jams occur frequently.	The document is wrinkled.	Smooth out the document.
	The rollers are dirty.	Clean the rollers. (page 55)
	The document is not aligned correctly.	Realign the document. (page 38)
	Too many sheets are set on the feed tray.	Remove sheets until the sheets on the feed tray are under the limit mark on the document guide.
Scanned documents have been rolled up in the exit tray area when using the exit guides.	The documents are curved or curled.	Scan the documents with the exit guides folded. (page 41)
Scanned image is skewed.	The document guides are not adjusted to the size of the document to be scanned, or the document to be scanned is set slanted on the feed tray.	Adjust the document guides properly to the size of the document to be scanned. (page 40)
	Right and left sides of the document to be scanned are not the same in height, because of curling or folding.	Flatten the document (page 24) and load it again after reducing the number of sheets.

Appendix

Symptom	Possible Cause	Remedy
The image for a scanned document is blank.	The document to be scanned was loaded upside down.	Load the document correctly. (page 38)
Vertical streaks appear on the scanned document.	The scanning glasses are dirty.	Clean the scanning glasses. (page 53)
The scanning density is uneven.	The scanning glasses are dirty.	Clean the scanning glasses. (page 53)
The color of the scanned document is extremely different from the original document.	The settings of the computer monitor are wrong.	Adjust the computer monitor settings.
	Depending on the documents scanned, the color of documents may not be scanned properly. For example, the color of a highlighter pen may be scanned lighter than it appears.	Setting the value for Chroma higher in the scanning conditions may solve this problem.
Dark spots or noise appear on the scanned documents.	The scanning glasses are dirty.	Clean the scanning glasses. (page 53)
There is noise or wave patterns (moire pattern) on the scanned image.	The scanning resolution settings, combined with patterns within the scanned image, may cause this problem.	Change the scanning resolution, and perform scanning again.
The sound made by paper being ejected is higher than usual when you scan short documents.	If the length of documents are less than about 148 mm (5.8 in.), feeding speed control will be activated for exiting documents; this is normal behavior.	—

If you still experience problems after following these suggestions, please contact our Technical Support Department at 1-800-726-2797 for further assistance. (U.S.A. only)

Error Messages (KV-S1057C and KV-S1027C only)

Error codes corresponding to the scanner status are displayed on the LCD.

Also, when the scanner is connected to a computer, simple messages are displayed on the LCD.

For details about the error codes and messages, check in User Utility.

Error Code	Cause	Remedy
U11 U12	The paper has jammed in the feed tray area.	Open the ADF door, and remove the paper.
	The sensors are dirty.	Clean the sensors.
U16	The paper has jammed in the exit tray area.	Open the ADF door, and remove the paper.
	The sensors are dirty.	Clean the sensors.
U18	Paper has been left in the scanner.	Open the ADF door, and remove all the paper left inside.
	The sensors are dirty.	Clean the sensors.
U23	A double-feed error has occurred.	Open the ADF door, and remove the jammed paper.
U30	The ADF door is open.	Close the ADF door.
Fxx	A system error has occurred.	Contact your dealer.

Uninstalling the Software

If you want to remove the software that is installed on your computer, follow the procedure below to uninstall them.

1. In [Control Panel], open [Uninstall a program].
 - In Windows XP, select [Add or Remove Programs].
2. Uninstall the following software programs.

Program Name	Publisher
Image Capture Plus	Panasonic System Networks Co., Ltd.
Scan Button Setting Tool	Panasonic System Networks Co., Ltd.
IDR Engine	Panasonic System Networks Co., Ltd.
Panasonic Scanner Manuals	Panasonic System Networks Co., Ltd.
Panasonic Document Scanner Device Driver	Panasonic System Networks Co., Ltd.
MCD	Panasonic System Networks Co., Ltd.
KV-S1057C KV-S1027C ISIS Driver KV-SL1066/1056/1055/1036/1035 ISIS Driver	Panasonic System Networks Co., Ltd.
KV-S1057C KV-S1027C TWAIN Driver KV-SL1066/1056/1055/1036/1035 TWAIN Driver	Panasonic System Networks Co., Ltd.
Panasonic Scanner User Utility	Panasonic System Networks Co., Ltd.
OCR Engine	Panasonic System Networks Co., Ltd.

3. Follow the instructions on the screen.

Repacking Instructions

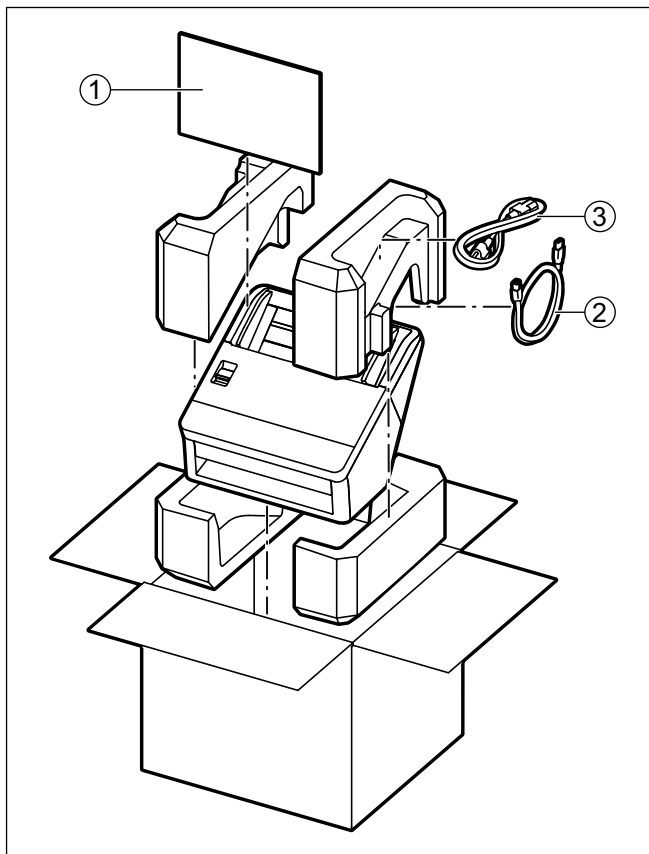
It is highly recommended that you keep the original carton and *ALL* packing materials. If you need to transport or ship the scanner, please follow these instructions.

Note

- Improper repacking of the scanner may result in a service charge to repair the scanner.
- Please use the original carton and all of the original packing materials.
- The scanner should be handled in the correct (horizontal) position.

Required Materials

- Original scanner carton and packing materials
 - Shipping tape and scissors
1. Unplug the power cord and disconnect the USB cable.
 2. Pack the scanner.



- ① Quick Installation Guide and Software / Manual CD-ROM
- ② USB cable
- ③ Power cord

Specifications

Scanning

Item		KV-S1057C KV-SL1066	KV-S1027C KV-SL1056	KV-SL1055	KV-SL1036	KV-SL1035
Scanning face		Duplex				
Scanning method		Color CIS (600 dpi)				
Scanning size		216 mm (8.5 in.)				
Scanning speed ¹	A4 / Letter Simplex Binary / color (200 dpi, 300 dpi)	65 pages/min.	45 pages/min.	40 pages/min.	35 pages/min.	30 pages/min.
	A4 / Letter Duplex Binary / color (200 dpi, 300 dpi)	130 images/min.	90 images/min.	80 images/min.	70 images/min.	60 images/min.
Scanning resolution		100 – 600 dpi (1 dpi step) 1,200 dpi (Interpolated) Optical: 300 dpi / 600 dpi (Automatic switch)				
Paper ²	Width	48 – 216 mm (1.9 – 8.5 in.)				
	Length ³	When feeding one sheet: 54 mm – unlimited (2.1 in. – unlimited) When feeding multiple sheets: 54 – 356 mm (2.1 – 14 in.)				
	Thickness	0.04 – 0.5 mm (1.6 – 19.7 mils) Note: 1 mil = 0.001 in.				
	Weight	20 – 413 g/m ² (5 – 110 lb.)				
	Feed capacity	The height of all the documents on the tray should be less than 10 mm (0.4 in.). 130 sheets (64 g/m ² [17 lb.] High-quality woodfree paper) 100 sheets (75 g/m ² [20 lb.] High-quality woodfree paper) 100 sheets (80 g/m ² [21 lb.] High-quality woodfree paper)				
Card ⁴	Format	ISO format				
	Size	85.6 × 54 mm (3.4 × 2.1 in.)				
	Thickness	0.76 mm (0.03 in.)				
	Feed capacity	3 cards on the feed tray or on the mixed batch card guide				
Roller replacement ⁵		250,000 sheets				

- dpi: dots per inch

¹ The scanning speed differs depending on the host computer, the operating system, the application, the measuring method, the quantity of data in the image, and the paper type. The scanning speed depends on a measuring method of Panasonic.

² For details, see "Compatible Paper Types".

³ Using "Long Paper", you can scan long documents by splitting them into smaller parts. For details about "Long Paper", refer to the Image Capture Plus, TWAIN, or ISIS help.

⁴ For details, see "Compatible Card Types".

⁵ For details, see "Replacing the Rollers".

"Weight in pounds" of paper represents the weight of 500 (432 × 559 mm [17 × 22 in.]) sheets.

General

Item		KV-S1057C KV-SL1066	KV-S1027C KV-SL1056	KV-SL1055	KV-SL1036	KV-SL1035
External dimensions (Width × Depth × Height)		300 × 272 × 238 mm (11.8 × 10.7 × 9.4 in.)				
Weight		4 kg (8.8 lb.)				
Power requirement ¹		AC100 – 125 V, 50/60 Hz, 0.8 A				
		AC220 – 240 V, 50/60 Hz, 0.5 A				
Power consumption (For AC100 – 125 V models)	Scanning	40 W or less	35 W or less	35 W or less	35 W or less	35 W or less
	Ready	8 W or less	8 W or less	8 W or less	8 W or less	8 W or less
	Sleep	3.0 W or less (For KV-S1057C and KV-S1027C) 2.9 W or less (For KV-SL1066, KV-SL1056, KV-SL1055, KV-SL1036 and KV-SL1035)				
	Power OFF	0.5 W or less	0.5 W or less	0.5 W or less	0.5 W or less	0.5 W or less
Power consumption (For AC220 – 240 V models)	Scanning	40 W or less	35 W or less	35 W or less	35 W or less	35 W or less
	Ready	8 W or less	8 W or less	8 W or less	8 W or less	8 W or less
	Sleep	3.0 W or less (For KV-S1057C and KV-S1027C) 2.9 W or less (For KV-SL1066, KV-SL1056, KV-SL1055, KV-SL1036 and KV-SL1035)				
	Power OFF	0.5 W or less	0.5 W or less	0.5 W or less	0.5 W or less	0.5 W or less
Operating environment		Temperature: 5 – 35 °C (41 – 95 °F) Humidity: 20 – 80 % RH				
Storage environment		Temperature: -10 – 50 °C (14 – 122 °F) Humidity: 8 – 75 % RH				
Interface		USB 3.0 (For KV-S1057C and KV-S1027C) USB 2.0 (For KV-SL1066, KV-SL1056, KV-SL1055, KV-SL1036 and KV-SL1035)				

¹ The power requirement differs depending on the country/area. Do not use a power source that does not meet the power source specifications marked on the unit. The power source specifications of this unit are listed on the rating name plate.

Index

Numerics

7-segment LED 2, 15, 44

A

AC inlet 13
Accessories 11
ADF door 12
ADF door release 12

B

Background color switch function 2, 3, 31

C

Cleaning Mode 59
Control sheet 5, 46
Conveyor 53
Cursor button 14, 43

D

Document guides 12
Double feed detection 30
Double feed detection function 2, 3
Double feed detectors 54
Double feed prevention roller module 60
Double Feed Skip (DFS) function 2, 3, 14

E

Error messages 69
Exit extension tray 1 12
Exit extension tray 2 12
Exit guides 12
Exit stopper 12
Exit tray 12

F

Fan exhaust vent 12
Feed extension tray 12
Feed tray 12

I

Incompatible Documents 29

L

LCD 2, 15, 43
LED (Green) 14, 16
LED (Red) 14, 16

M

Manual feed selector 2, 3, 12, 32
Mixed batch card guide 2, 3, 11, 12, 33

O

OK button 15
Operating Environment 73
Operation panel 12, 14

P

Paper feed roller 60
Power button 14
Power cord 11, 13
Push Scan 3, 42

Q

Quick Installation Guide 5, 11

R

Roller cleaning paper 6, 10, 51
Roller exchange kit 6

S

Scan Button Setting Tool 5, 42
Scanning glasses 53
Security slot 13
Skip button 3, 14
Software / Manual CD-ROM 5, 11, 18
Specifications 72
Start/Stop button 15, 59
Starting sensors 54
Storage Environment 73

T

Touch Free Scanning 42

U

USB cable 11, 13, 21
USB connector 13
User Utility 5, 16, 65

